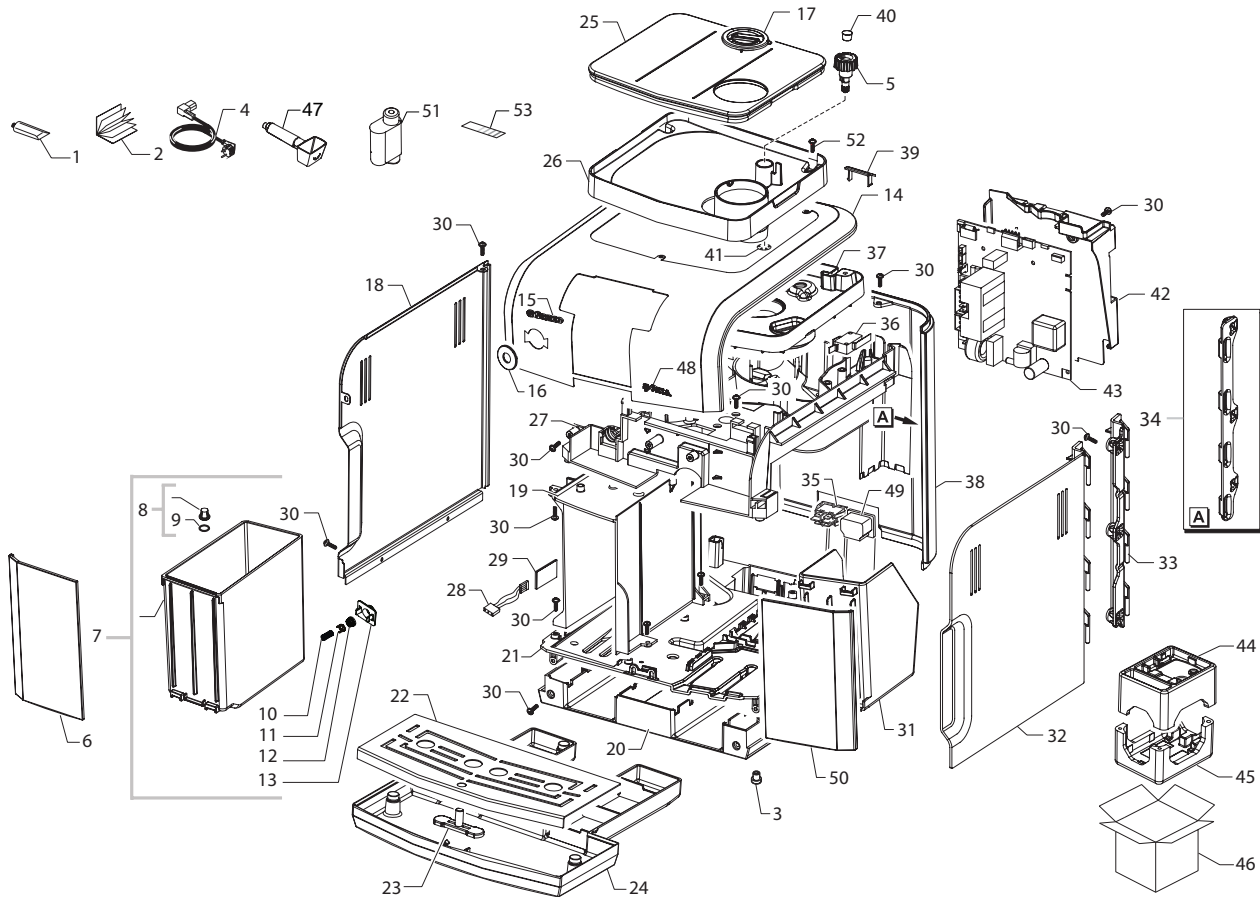


Saeco SUP037DR
INTERNATIONAL GROUP



Cod.10003064-65-66-85-10003120-21-22-23
Cod.10003271-97-98-99-3320-21-22-23-10003481

POS	CODICE	DESCRIZIONE	NOTE	POS	CODE	DESCRIPTION	NOTE
01	11005044	TUBETTO SAECO KLUBER TRIBOSTAR SIL 2 5GR		01	11005044	SAECO KLUBER TRIBOSTAR SIL 2 TUBE 5GR.	
02	15002083	LIBR.ISTR.SAE SUP037DR XSMH E/P/NL/PL		02	15002083	MANUAL SAE SUP037DR XSMH E/P/NL/PL	
	15002084	LIBR.ISTR.SAE SUP037DR XSMH GB/I/D/F			15002084	MANUAL SAE SUP037DR XSMH GB/I/D/F	
	15002071	LIBR.ISTR.SAE SUP037DR XSMH CHN			15002071	MANUAL SAE SUP037DR XSMH CHN	
	15002258	LIBR.ISTR.SAE SUP037DR XSMH KOR			15002258	MANUAL SAE SUP037DR XSMH KOR	
	15001791	LIBR.ISTR.SAE SUP037DR XSMH GB/I/D/F/E			15001791	MANUAL SAE SUP037DR XSMH GB/I/D/F/E	
03	147622800	PIEDINO PIANETA CAFFE' TRASPARENTE		03	147622800	TRANSPARENT LITTLE FOOT	
04	183911050	CAVO AL.SCHUKO 3X1 H05VV-F NERO L=1200MM		04	183911050	BLACK POWER CABLE SCHUKO L=1200MM	
	183930650	CAVO AL.CH 3X1 H05VV-F NER.L=1200MM			183930650	PO.CABL.CH BLACK 3X1 H05VV-F L=1200	
	183940650	CAVO AL.AUSTRAL.3X1 H05VV-F NERO L=1200			183940650	BLACK POWER CABLE AUSTRALIA L=1200	
	183921950	CAVO AL.USA SJT3 UL 16AWG NERO L=1200			183921950	POWER CABLE SJT3 USA BLACK UL L=1200	
	11004247	CAVO AL.CINA RVV 3X1 C/C.NERO L=1200			11004247	BLACK POWER CABLE RVV 3X1 CHINA L=1200MM	
	11001985	CAVO AL.KOREA H05VV-F 3X1 NERO L=1200			11001985	BLACK POWER CABLE KOREA 3X1 L=1200	
	11004246	CAVO AL.TAIWAN HVCTF 3X2 C/C NERO.L=1200			11004246	BLACK POWER CABLE TAIWAN HVCTF L=1200	
	183980650	CAVO AL.JAP.VCTF 3X2 NERO L=1200MM			183980650	BLACK POWER CABLE JAPPON VCTF L=1200MM	
05	11013206	POMEL.REGOL.MACINAT.CAF.XSM NER.		05	11013206	BLACK GRIND.ADJUSTMENT KNOB XSM	
06	11013160	AS.COPERTURA CONTENITORI XSM INOX		06	11013160	SS CONTAINERS COVER XSM ASSY.	
07	11013093	AS.CONTENIT.ACQUA XSM GRI/NAT.		07	11013093	NATUR/GREY WATER CONTAINER XSM ASSY.	
08	224640200	AS.FILTRO ESTERNO X CONTENITORI ACQUA		08	224640200	EXTERNAL FILTER FOR WATER CONTAINER ASSY	
09	140328461	OR METRICO 0190-10 IN EPDM		09	140328461	EPDM OR METRIC 0190-10	
10	11003672	MOLLA CILINDRICA X VALV.CONT.ACQUA P0049		10	11003672	SPRING FOR WATER CONTAINER VALVE P0049	
11	11003673	INSERTO X VALV.CONTEN.ACQUA P0049 GRIGIO		11	11003673	GREY WATER CONTAINER VALVE INSERT P0049	
12	11003671	VALVOLA X CONTENIT.ACQUA P0049 TRASP.		12	11003671	TRANSP.VALVE FOR WATER CONTAINER P0049	
13	11001298	COPERCHIO X VALVOLA DUCKBILL P0049 NERO		13	11001298	BLACK LID FOR DUCKBILL VALVE P0049	
14	11012718	AS.COPERT.SUP.CARC.C/STAFFE XSM INOX		14	11012718	UPPER CASING COVER XSM ASSY.	
15	11011406	PIAST.ADES.C.LOGO SAECO P0057 ARGENTO		15	11011406	ADHES.SILVER PLATE LOGO SAECO P0057	
16	11012921	TAPPO COP.SUP.CARC.XSM CROM.		16	11012921	CHROMED UPPER COVER CASING COP XSM	
17	11013102	COP.TRAMOGGIA CAF.MACIN.XSM GRI/NAT.		17	11013102	NATUR/GREY GROUND COFFEE HOPPER LID XSM	
18	11012727	AS.CARC.LATO SX C/FASTON XSM	DIGITAL INOX	18	11012727	SS.CASING LEFT SIDE XSM ASSY.	DIGITAL INOX
	11021374	CARC.LATO SX XSM BIANCO	CLASS		11021374	WHITE CASING LEFT SIDE XSM	CLASS
	11013107	CARC.LATO SX XSM NERO	CLASS		11013107	BLACK CASING LEFT SIDE XSM	CLASS
19	11012708	INSER.FONDO CARC.XSM NER.		19	11012708	BLACK INSERT FOR CASING BOTTOM XSM	
20	11022419	COPERTURA FONDO CARC.XSM VERN.GRI.	DIGITAL INOX	20	11022419	GREY CASING BOTTOM COVER XSM	DIGITAL INOX
	11013471	COPERTURA FONDO CARC.XSM BIANCO	CLASS		11013471	WHITE CASING BOTTOM COVER XSM	CLASS
	11012681	COPERTURA FONDO CARC.XSM NERO	CLASS		11012681	BLACK CASING BOTTOM COVER XSM	CLASS
21	11012601	FONDO CARC.XSM NER.		21	11012601	BLACK CASING BOTTOM XSM	
22	11012706	GRIGLIA VASCA REC.ACQUA XSM INOX		22	11012706	STAINL.STEEL GRATE FOR DRIP TRAY XSM	
23	11013184	GALLEG.VASCA REC.ACQUA XSM ROS.		23	11013184	RED FLOAT FOR DRIP TRAY XSM	
24	11022440	AS.VASCA REC.ACQUA XSM VERN.GRI.	DIGITAL INOX	24	11022440	GREY DRIP TRAY XSM ASSY.	DIGITAL INOX
	11021857	AS.VASCA REC.ACQUA XSM BIANCA	CLASS		11021857	WHITE DRIP TRAY XSM ASSY.	CLASS
	11013229	AS.VASCA REC.ACQUA XSM NERO	CLASS		11013229	BLACK DRIP TRAY XSM ASSY.	CLASS
25	11012725	COP.CONT.CAF.GRANI C/GUARN.XSM GRI/NAT.		25	11012725	NATUR/GREY BEAN COFF.CONTAINER LID XSM	
26	11012724	CONTENTIT.CAFFE' GRANI XSM GRI/NAT.		26	11012724	NATUR/GREY BEAN CONTAINER XSM	



Saeco SUP037DR
INTERNATIONAL GROUP



Cod.10003064-65-66-85-10003120-21-22-23
Cod.10003271-97-98-99-3320-21-22-23-10003481

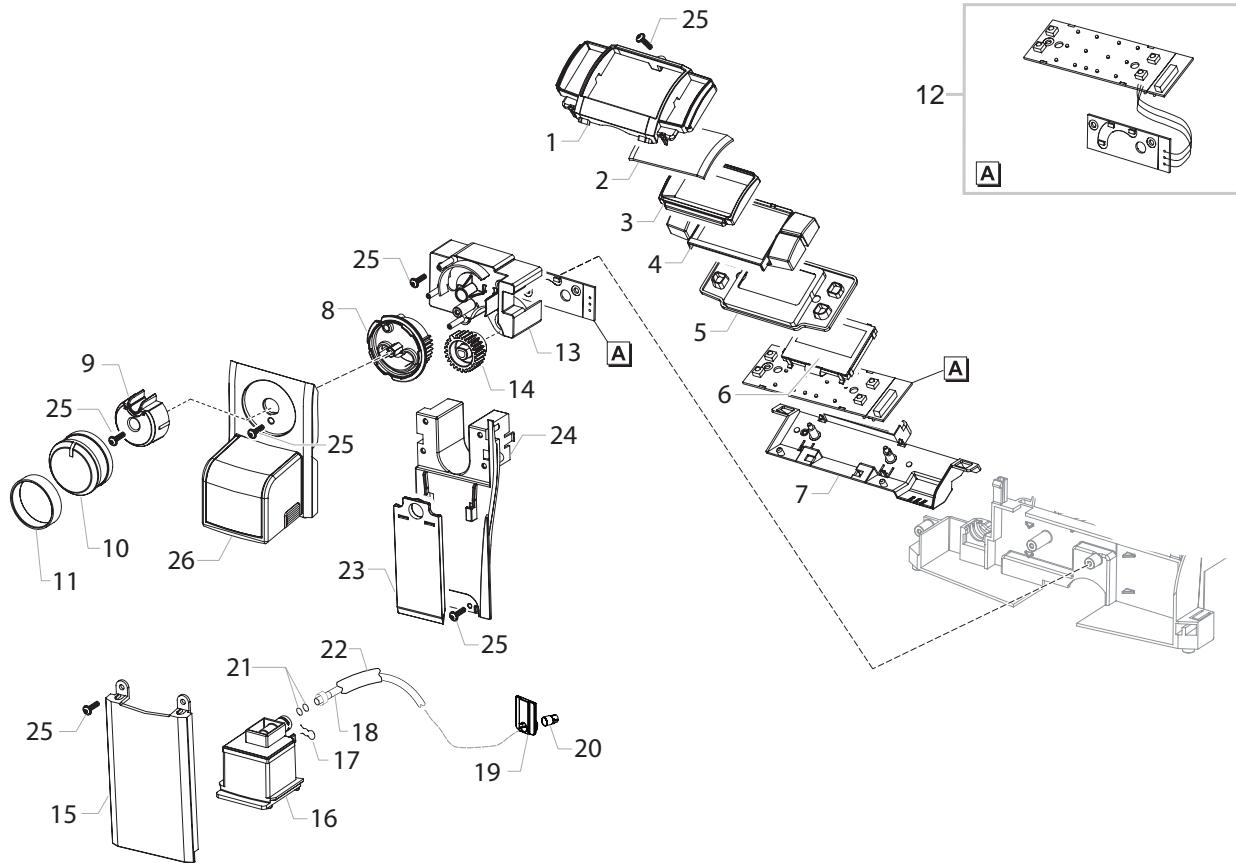
POS	CODICE	DESCRIZIONE	NOTE	POS	CODE	DESCRIPTION	NOTE
27	11012642	PIASTRA SUPPORTO MACINACAFFE' XSM NER.		27	11012642	BLACK COFFEE GRINDER PLATE XSM	
28	11013709	AS.CONN.3POLI LIVELLO ACQUA XSM UL		28	11013709	3POLES CONNECTOR WATER LEVEL XSM UL	
29	11000651	SCHEDA SENSORE CAPACITIVO LIVEL.ACQ.P124		29	11000651	WATER LEVEL SENSOR BOARD P124	
30	12000450	VITE TCBR 3,5X12 PLAST.ZN-N		30	12000450	SCREW TCBR TORX 10 3,5X12 PLAST.ZN-N	
31	11012709	CASSET.RACCOGLI FONDI XSM NER.		31	11012709	BLACK DUMP BOX XSM	
32	11012716	AS.SPORT.LATO DX XSM	DIGITAL INOX	32	11012716	SS DOOR RIGHT SIDE XSM ASSY.	DIGITAL INOX
		AS.SPORT.LATO DX XSM BIANCO	CLASS		11022260	WHITE DOOR RIGHT SIDE XSM ASSY.	CLASS
		AS.SPORT.LATO DX XSM NERO	CLASS		11013161	BLACK DOOR RIGHT SIDE XSM ASSY.	CLASS
33	11012713	CERNIERA SPORT.PLAST.LATO DX XSM NERO	CLASS	33	11012713	BLACK HINGE FOR DOOR RIGHT SIDE XSM	CLASS
34	11012714	CERNIERA CARC.POST.XSM NERO		34	11012714	BLACK HINGE FOR REAR CASING XSM	
35	NE03.038	INTERRUTTORE BIPOLARE FUSIT C1250AR		35	NE03.038	BIPOLAR SWITCH FUSIT C1250AR	
36	NE05.013	MICROINTERRUTTORE		36	NE05.013	MICROSWITCH	
37	11012719	COPERTURA INSONORIZAZIONE MC XSM NER.		37	11012719	SOUNDPROOFING COVER FOR COFGRINDER XSM	
38	11013109	AS.CARC.POST.XSM NER.C/INSER.	DIGITAL INOX	38	11013109	BLACK REAR CASING+SS INSERT XSM ASSY.	DIGITAL INOX
		CARC.POST.XSM BIANCO	CLASS		11013600	WHITE REAR CASING XSM	CLASS
		CARC.POST.XSM NERO	CLASS		11013104	BLACK REAR CASING XSM	CLASS
39	11013704	COP.ACCESSO INFRAROSSI XSM TRASP		39	11013704	TRANSPARENT COVER INFRAREDS ACCESS XSM	
40	149213000	TAPPO X POMELLI CONT.CAF.GRANI TRASP.		40	149213000	TRANSP.CAP FOR KNOBS BEAN CONTAINER	
41	120350604	ANELLO 6 UNI 7434 BRUN.		41	120350604	SHAFT 6 UNI 7434	
42	11012301	PROTEZIONE SCHEDA PWR/CPU P0057 NER.		42	11012301	BLACK PWR/CPU BOARD PROTECTION P0057	
43	11012593	AS.CPU+SW XSM V2	230V	43	11012593	CPU+SW AS.XSM V2	230V
		AS.CPU+SW XSM V2	100V-120V		11013638	CPU+SW ASSEMBLY XSM V2	100V-120V
44	13000910	INSER.SUP.SCATOLA XSM PS-E		44	13000910	PS-E UPPER INSERT FOR BOX XSM	
45	13000911	INSER.INF.SCATOLA XSM PS-E		45	13000911	PS-E LOWER INSERT FOR BOX XSM	
46	13000912	SCATOLA LITOGRAF.SAECO SYNTIA	DIGITAL INOX	46	13000912	DISPLAY BOX SAECO SYNTIA	DIGITAL INOX
		SCATOLA LITOGRAF.SAECO SYNTIA	CLASS		13000949	DISPLAY BOX SAECO SYNTIA	CLASS
47	146680850	MISURINO X CAFFE' SMART NER.		47	146680850	BLACK COFFEE MEASURE SMART	
48	11022065	PIAST.ADES.C/LOGO SYNTIA ARGENTO		48	11022065	ADHES.SILVER PLATE LOGO SYNTIA	
49	12000280	PRESA A VASCHETTA C/SMUSSI EN 60320 C 13		49	12000280	CUP SOCKET EN 60320 C 13	
50	11021826	AS.COPERTURA CASSET.FONDI XSM INOX		50	11021826	SS DUMP BOX COVER XSM	
51	21001404	ACC SAE BRITA UNI.WAT.FILTERX1 EUR-ASIA		51	21001404	ACC SAE BRITA UNI.WAT.FILTERX1 EUR-ASIA	
		ACC SAE BRITA WATER FILTER 1UNIT AMERICA			21001120	ACC SAE BRITA WATER FILTER 1UNIT AMERICA	
52	129912504	VITE TCBR 3,5X14 PLAST.ZN-N		52	129912504	SCREW TCBR TORX 10 3,5X14 PLAST.ZN-N	
53	0301.961	STICKER TEST DUREZZAACQUA		53	0301.961	STICKER FOR WATER HARDNESS TEST	

Saeco
INTERNATIONAL GROUP

SYNTIA CLASS-DGT

Rev. 01 - 12/03/10

TAVOLA 1b/5

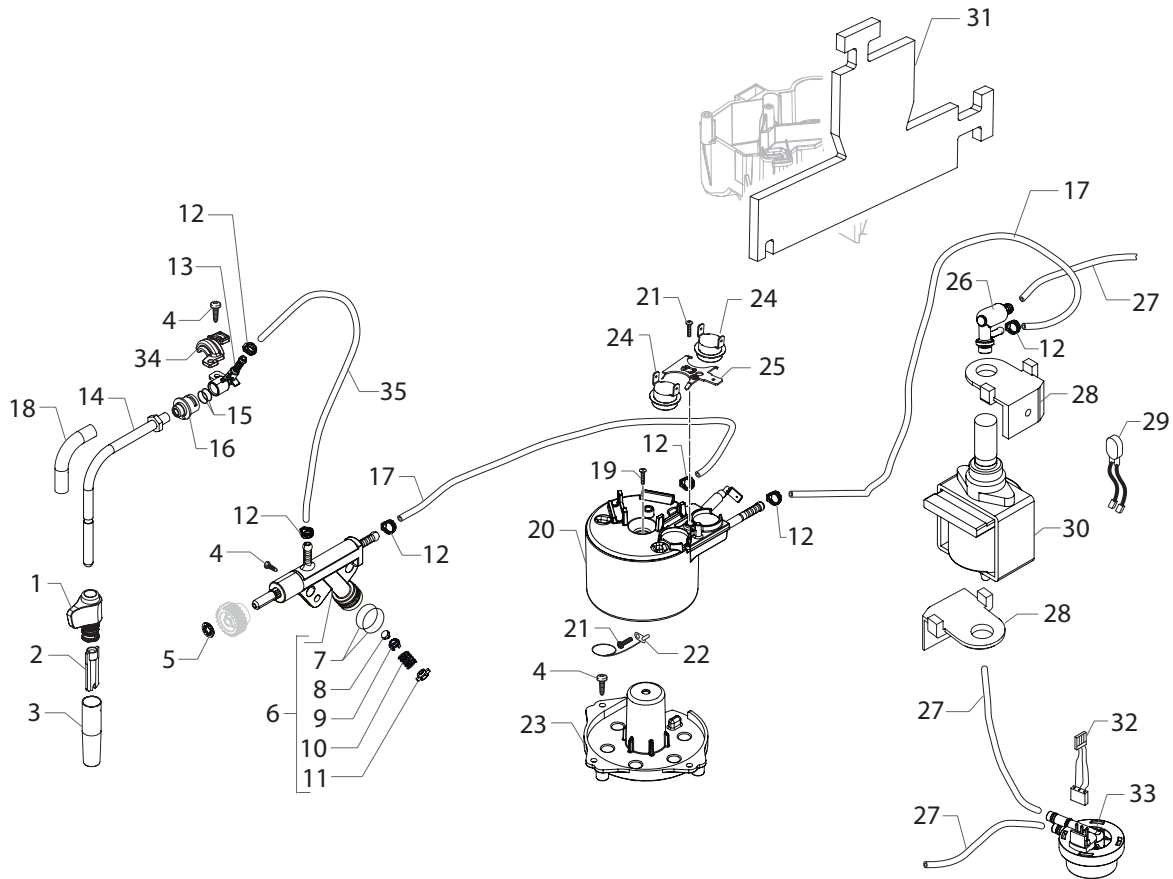


Saeco SUP037DR
INTERNATIONAL GROUP



Cod.10003064-65-66-85-10003120-21-22-23
Cod.10003271-97-98-99-3320-21-22-23-10003481

POS	CODICE	DESCRIZIONE	NOTE	POS	CODE	DESCRIPTION	NOTE
01	11013092	COPERTURA TASTIERA XSM CROM.		01	11013092	CHROMED TOUCH PANEL COVER XSM	
02	11012692	VETRINO DISPLAY XSM/H TRASP.		02	11012692	TRANSPARENT GLASS FOR DISPLAY XSM/H	
03	11012700	CORNICE DISPLAY XSM/H NER.		03	11012700	BLACK DISPLAY FRAME XSM/H	
04	11013098	TASTIERA XSM NER.SER.		04	11013098	BLACK TOUCH PANEL S/SCREEN XSM	
05	11012698	GUARNIZ.DISPLAY XSM/H NER.		05	11012698	BLACK DISPLAY SEAL XSM/H	
06	12001272	DISPLAY GRAFICO CMG122647Z01 XSM/H		06	12001272	DISPLAY CMG122647Z01 XSM/H	
07	11012699	SUPP.DISPLAY XSM/H NER.		07	11012699	BLACK DISPLAY SUPPORT XSM/H	
08	11013117	AS.SUPP.POMEL.COMANDI C/CALAM.XSM NER.		08	11013117	BLACK CONTROL KNOB SUPPORT XSM ASSY.	
09	11012701	POMEL.COMANDI XSM NER.		09	11012701	BLACK CONTROL KNOB XSM	
10	11013091	COPERT.POMEL.COMANDI XSM/H ZAMA CROM.		10	11013091	CHROMED CONTROL KNOB COVER XSM/H	
11	11021454	INSER.COPERT.POMEL.COMANDI XSM NER.		11	11021454	BLACK CONTROL KNOB COVER INSERT XSM	
12	11012820	AS.SCHEDE INTERF.+CABLAGGIO UL XSM/H		12	11012820	INTERFACE BOARDS ASSY.+UL CABLES XSM/H	
13	11012704	SUPP.SCHEDA POMELLO XSM NER.		13	11012704	BLACK KNOB ELECTR.BOARD SUPPORT XSM	
14	11004120	INGRANAGGIO Z=26 VAPORE/ACQUA P0057 NERO		14	11004120	BLACK STEAM/WATER GEAR Z=26 P0057	
15	11013096	FRONTALINO XSM CROM.		15	11013096	CHROMED FRONT PLATE XSM	
16	11013070	AS.EROGATORE CAFFEE' SALD.XSM NER.		16	11013070	BLACK COFFEE DISPENSER XSM ASSY.	
17	9011.144	FORCELLA X TUBO D.4		17	9011.144	FORK FOR TUBE D.4	
18	11004132	AS.TUBO TEFLON 2X4 L=250MM+1BOC.DIST13MM		18	11004132	TEFLON TUBE 2X4 L=250 MM ASSY	
19	11005100	PIASTRINA X BOCCOLA TUBO TEFLON 4X2 P124		19	11005100	PLATE FOR 4X2 TEFLON TUBE P124	
20	11005101	BOCCOLA X TUBO TEFLON 4X2 P124		20	11005101	BUSH FOR 4X2 TEFLON TUBE P124	
21	140328059	OR 2015 IN SILICONE PTFE/FDA		21	140328059	OR 2015 IN SILICONE PTFE/FDA	
22	149361200	TUBO SILICONE NERO 7,5X9,3	IN MATASSA	22	149361200	BLACK SILICONE TUBE 7,5X9,3	IN ROLL
23	11013411	SUPP.PARTE MOBILE EROGAT.CAFF.XSM NERO		23	11013411	BLACK COF.DISPENSER MOBILE PART SUPP.XSM	
24	11012707	SUPP.FRONTALINO XSM NER.		24	11012707	BLACK FRONT PANEL SUPPORT XSM	
25	12000450	VITE TCBR 3,5X12 PLAST.ZN-N		25	12000450	SCREW TCBR TORX 10 3,5X12 PLAST.ZN-N	
26	11021760	AS.SUPP.EROGAT.CAFFEE' XSM CROM.		26	11021760	CHROM.COFFEE DISPENSER SUPPORT XSM ASSY.	

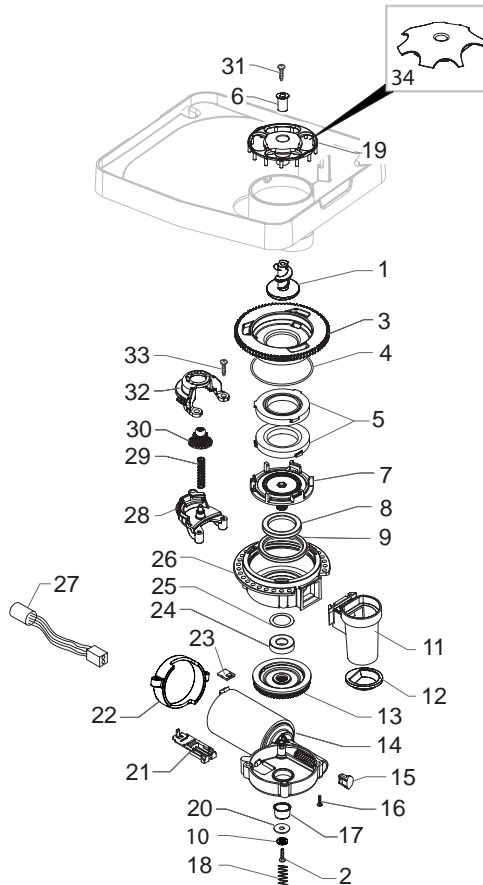


Saeco SUP037DR
INTERNATIONAL GROUP



Cod.10003064-65-66-85-10003120-21-22-23
Cod.10003271-97-98-99-3320-21-22-23-10003481

POS	CODICE	DESCRIZIONE	NOTE	POS	CODE	DESCRIPTION	NOTE
01	11007194	IMPUGNATURA TUBO VAPORE G0053 NERO		01	11007194	BLACK STEAM TUBE HANDGRIP G0053	
02	11001620	CANOTTO INT.PANNARELLO P0049 NERO		02	11001620	BLACK PANNARELLO INTERNAL TUBE P0049	
03	11011504	COPERTURA PANNARELLO P0049 OT/CROM.TF		03	11011504	TF/CHROM.PANNARELLO COVER P0049	
04	12000450	VITE TCBR 3,5X12 PLAST.ZN-N		04	12000450	SCREW TCBR TORX 10 3.5X12 PLAST.ZN-N	
05	128210600	RONDELLA ELASTICA X ALBERI D=6 MM		05	128210600	ELASTIC WASHER FOR SHAFT D=6MM	
06	11012381	RUB.REGOLATORE FLUSSO ACQ/VAP.V2 P0057		06	11012381	FLOW SELECTOR FAUCET V2 P0057	
07	12000893	OR METRICO 0120-20 IN EPDM		07	12000893	OR METRIC 0120-20 IN EPDM	
08	11008104	VALVOLA A FUNGO REGOLAT.DI FLUSSO P0057		08	11008104	MUSHROOM VALVE FOR FLOW SELECTOR P0057	
09	11008105	SUPP.VALVA FUNGO REGOL.DI FLUSSO P0057		09	11008105	SUPPORT VALVE FOR FLOW SELECTOR P0057	
10	11008077	MOLLA VALVOLA REGOLAT.DI FLUSSO P0057		10	11008077	SPRING FOR VALVE FLOW SELECTOR P0057	
11	11008106	TAPPO VALVA FUNGO REGOL.DI FLUSSO P0057		11	11008106	VALVE CAP FOR FLOW SELECTOR P0057	
12	12000892	FASCETTA OETIKER D=9,5 16700004		12	12000892	OETIKER CLAMP D=9,5 16700004	
13	11005757	SUPPORTO TUBO VAPORE P0057		13	11005757	STEAM TUBE SUPPORT P0057	
14	11013637	AS.TUBO VAPORE-DADO XSM OT/CROM.TF		14	11013637	TF/CHROMED STEAM TUBE XSM ASSY.	
15	140324461	OR ORM 0060-20 IN TERMOIL		15	140324461	OR ORM 0060-20 IN TERMOIL	
16	11011127	BOCCOLA TUBO VAPORE P0057 PA6 NERO		16	11011127	BLACK PA6 BUSH FOR STEAM TUBE P0057	
17	16000380	TUBO SIL.RETINATO 5X8,9 REHAU	IN MATASSA	17	16000380	5X8,9 SILICONE TUBE	IN ROLL
18	11012923	PROTEZIONE TUBO VAPORE XSM CROM.		18	11012923	CHROMED STEAM TUBE PROTECTION XSM	
19	129932502	VITE TCEI 5X30 PLAST.ZN-B		19	129932502	SCREW TSP 5X30 PLAST.ZN-B	
20	11011341	AS.CALD.TUB.V4	230V-1300W	20	11011341	V4 TUB.BOILER ASSY.	230V-1300W
	11011342	AS.CALD.TUB.V4	120V-1300W		11011342	V4 TUB.BOILER ASSY.	120V-1300W
	11011346	AS.CALD.TUB.V4	100V-1100W		11011346	V4 TUB.BOILER ASSY.	100V-1100W
21	129573202	VITE TCB M4X8 AUTOFORMANTE ZN-B		21	129573202	SCREW TCB TORX 20 M4X8 AUTOFORMING ZN-B	
22	190800100	SENSORE TEMPERATURA NTC UL L=280MM		22	190800100	TEMPERATURE SENSOR NTC UL L=280MM	
23	11003752	SUPPORTO CALDAIA P0057 NERO		23	11003752	BLACK BOILER SUPPORT P0057	
24	189428600	TERMOSTATO 175° 1NT-08L-5125		24	189428600	THERMOSTAT 175° 1NT-08L-5125	
	12001034	FINO MATR. 9009SA40198275 TERMOSTATO ONE SHOT 175°			12001034	UP TO S/N. 9009SA40198275 THERMOSTAT ONE SHOT 175°	
		DA MATR. 9009SA40198276				FROM S/N. 9009SA40198276	
25	11007907	MOLLA X TERMOSTATI CALD.TUBOL.V5 ACC.		25	11007907	THERMOSTATES SPRING FOR BOILER	
		FINO MATR. 9009SA40198275				UP TO S/N. 9009SA40198275	
	11010164	MOLLA X TERMOSTATI CALD.TUBOL.V6 ACC.			11010164	THERMOSTATES SPRING FOR BOILER	
		DA MATR. 9009SA40198276				FROM S/N. 9009SA40198276	
26	11010166	AS.VALV.DI SICUREZZA 16-18 BAR V2 P0049		26	11010166	SAFETY VALVE 16-18 BAR V2 P0049 ASSY.	
27	JS01.022	TUBO SILICONE 5X10 60 SHORE	IN MATASSA	27	JS01.022	SILICONE TUBE 5X10 60 SHORE	IN ROLL
28	149205850	SUPPORTO POMPA TYP ULKA C/SMUSSO NERO		28	149205850	BLACK PUMP SUPPORT TYPE ULKA	
29	11009747	AS.CONNETTORE 2POLI POMPA P0057 UL		29	11009747	2POLES CONNECTOR PUMP P0057 UL	
30	12000140	POMPA ULKA EP5/S GW	230V-50HZ	30	12000140	ULKA PUMP EP5/S GW	230V-50HZ
	12000142	POMPA ULKA EAP5/S	120V-60HZ		12000142	ULKA PUMP EP5/S GW	120V-60HZ
	12000182	POMPA ULKA EP5/S GW	220V-60HZ		12000182	ULKA PUMP EP5/S GW	220V-60HZ
	12000130	POMPA ULKA EP5/S GW	100V-50/60HZ		12000130	ULKA PUMP EP5/S GW	100V-50/60HZ
31	11021450	ISOLANTE CALD.TUB.STD C1		31	11021450	TUB.BOILER STD C1 INSULATING	
32	11005948	AS.CONNETTORE 3 POLI TURBINA P0057		32	11005948	3POLES CONNECTOR FLOWMETER P0057	
33	NV99.099	AS.TURBINA D=1,2 932-8521/00		33	NV99.099	TURBINE D=1,2 932-8521/00 ASSY.	
34	11013894	FORCELLA FERMA TUBO VAP.GXSM NER.		34	11013894	BLACK FORK FOR STEAM TUBE GXSM	
35	16000719	TUBO SIL.RETIN.5X8,9 BLKLINE	IN MATASSA	35	16000719	BLK LINE 5X8,9 SILICONE TUBE	IN ROLL
	11009776	AS.CALD.TUB.STD C1 1300W 230V			11009776	TUB.BOILER STD C1 1300W 230V ASSY.	
	11009778	AS.CALD.TUB.STD C1 1300W 120V			11009778	TUB.BOILER STD C1 1300W 120V ASSY.	
	11012032	AS.CALD.TUB.STD C1 1100W 100V			11012032	TUB.BOILER STD C1 1100W 100V ASSY.	
		CON PART.N°20-21-22-24-25				WITH PART.N°20-21-22-24-25	



Saeco SUP037DR
INTERNATIONAL GROUP



Cod.10003064-65-66-85-10003120-21-22-23

Cod.10003271-97-98-99-3320-21-22-23-10003481

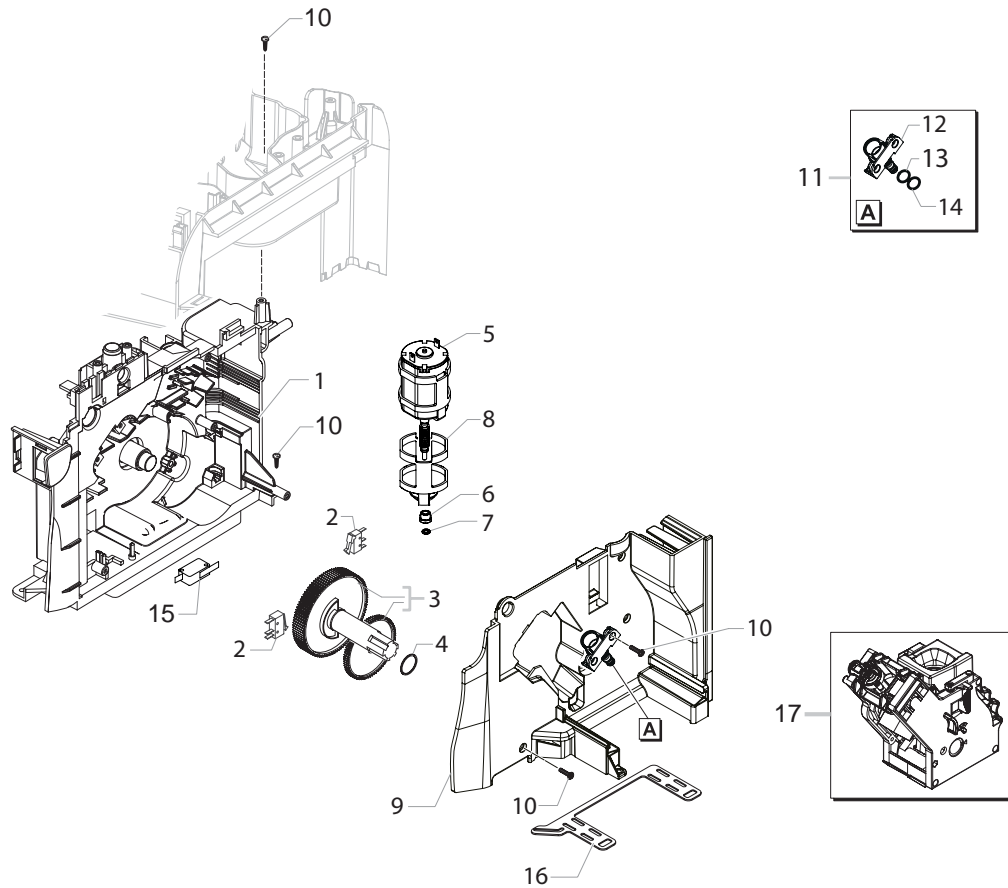
POS	CODICE	DESCRIZIONE	NOTE	POS	CODE	DESCRIPTION	NOTE		
01	11010031	VITE DI INCREMENTO CORTA MC ZAMA/TEA	USA UL	01	11010031	TEA/ZAMA INCREASE SCREW GRINDER	USA UL		
	11024208	VITE INCREMENTO CORTA MC ZAMA TORN.TEA				11024208		TEA SHORT ZAMA INCREASE SCREW GRINDER	
02	129574802	VITE TCB M4X30 ZN-B			02	129574802		SCREW TCB TORX 20 M4X30 ZN-B	
03	149198250	SUPPORTO SUP.MACINA MACINACAFFE V3 NERO			03	149198250		UPPER GRINDER SUPPORT COFFEEGRINDER	
04	140328960	OR METRICO 0530-15 IN NBR FDA			04	140328960		NBR FDA OR METRIC 0530-15	
05	146520100	MACINA 48X28 IN CERAMICA			05	146520100		BAKED CLAY GRINDER 48X28	
06	11012466	BOCC.PROT.DITO CONT.CAFF.GRANI P0057 OTT			06	11012466		BRASS BUSH BEAN CONT.FINGER PROTEC.P0057	
07	149198350	SUPPORTO INF.MACINA MACINACAFFE V3 NERO			07	149198350		LOWER GRINDER SUPPORT COFFEEGRINDER	
08	123030300	CUSCINETTO ASSIALE EKKO 342.35252			08	123030300		AXIAL BEARING EKKO 342.35252	
09	140360500	ANELLO IN FELTRO DE=45,4 DI=39,4H=4			09	140360500		FELT RING 45,4X39,4X4	
10	128310402	ROSETTA UNI 8842 A4 ZINCATA			10	128310402		GALV.WASHER UNI 8842 A4	
11	11012564	AS.CONVOGL.USCITA CAF.MACIN.V2 SMART1NER			11	11012564		GROUND COFFEE OUTLET CONVEYOR V2 ASSY.	
12	145854462	GUARNIZ.INF.CONT.CAFFE' MACINATO SMART1			12	145854462		GROUND COFFEE CONT.SEAL LOWER SMART1	
13	226000300	AS.ING.SX Z=38 X MOVIM.MACINA C/CALAMITA			13	226000300		GEAR SX Z=38 FOR GRINDER MOTION ASSY.	
14	11000513	AS.MOTORE MC/V3.1 MOD=1,25 SX DOMEL	230V	14	11000513	MOTOR COFFEEGRINDER/V3.1 ASSY.	230V		
	11000511	AS.MOTORE MC/V3.1 MOD=1,25 SX	120V		11000511	MOTOR COFFEEGRINDER/V3.1 ASSY.	120V		
	11000512	AS.MOTORE MC/V3.1 MOD=1,25 SX	100V		11000512	MOTOR COFFEEGRINDER/V3.1 ASSY.	100V		
15	149214800	TAPPO CENTRAG.VITE S/FINE MOD=1,25 MC/V3		15	149214800	CAP FOR WORM SCREW MC/V3 CENTRING			
16	129661702	VITE TCB 3,5X30 PLAST.ZN-B		16	129661702	SCREW TCB TORX 3,5X30 PLAST.ZN-B			
17	11002873	BOCCOLA ISOLANTE X MOTORE MC P124 NERA		17	11002873	INSULATOR BUSH FOR GRINDER MOTOR P124			
18	11000597	MOLLA DI SUPPORTO MOTORE MC P124 ACC.		18	11000597	COFFEE GRINDER SUPPORT SPRING P124			
19	11014285	PROTEZ.DITO CONT.CAFF.GRANI V2 P0057 NER		19	11014285	BLK V2 BEAN CONTAIN.FINGER PROTECT.P0057			
20	128381902	RONDELLA PIANA DI=4,3 DE=14 SP=1,5 AC/ZINC		20	128381902	GALVAN.FLAT WASH.DI=4,3 DE=14 SP=1,5			
21	149199050	SUPPORTO SENSORE TERMICO X MOTORE MC		21	149199050	SENSOR SUPPORT FOR COFF.GRIND.MOTOR			
22	11000194	SUPPORTO MOTORE MACINACAFFE' P124 NERO		22	11000194	BLACK GRINDER MOTOR SUPPORT P124			
23	181540900	BAS.ELET.C/SENSORE HAL 506 SF-K C/CONNET		23	181540900	ELECTRONIC BOARD WITH SENSOR HAL506			
24	123030200	CUSCINETTO RADIALE 61900.2RS1		24	123030200	RADIAL BEARING 61900.2RS1			
25	128381800	RONDELLA DI BILANCIAMENTO 21,8X14X0,25		25	128381800	CRINKLE WASHER 21,8X15,8X0,2			
26	142905450	CORPO SUP.C/USCITA CAF.MACINATO MC NERO		26	142905450	UPPER BODY WITH COFFE.GROUND OUTLET			
27	11008871	AS.CONNET.3POLI SENSORE/MC S0053 UL		27	11008871	3 POLES CONNECTOR MC SENSOR S0053 UL			
28	11002613	SUPPOR.INF.INGR.REGOL.MACINAT.P124 NERO		28	11002613	LOWER GEAR SUPPORT COFFEEGRINDER P124			
29	11002572	MOLLA REGOLAZIONE MACINACAFFE' P124 ACC.		29	11002572	GRINDER REGULATION SPRING P124			
30	11003784	INGRAN.Z=14-24 REGOL.MACIN.CAF.P0049 NER		30	11003784	COFFEE GRINDING ADJUSTMENT GEAR P0049			
31	U043.004	VITE TCBC M4,0X16 UNI 7687 ZNP		31	U043.004	ZN-B TCB SCREW M4X16			
32	11002508	SUPPOR.SUP.INGR.REGOL.MACINAT.P124 NERO		32	11002508	UPPER GEAR SUPPORT COFFEEGRINDER P124			
33	129914002	VITE TCB 3,5X16 PLAST.ZN-B		33	129914002	SCREW TCB TORX 10 3,5X16 PLAST.ZN-B			
34	11022841	PROTEZ.DITO CONT.CAFF.GRANI XSM UL TRASP		34	11022841	TRANS.BEAN CONTAIN.FINGER PROTECT.XSM UL			
	11006059	AS.GEN.MOTORE MACINACAF.P0057 STD	230V		11006059	GENERAL MOTOR MC P0057 STD ASSY.	230V		
	11024242	AS.GEN.MOTORE MC V3 P0057	120V UL		11024242	MC GENERAL MOTOR V3 P0057 ASSY.	120V UL		
	11013028	AS.GEN.MOTORE MC P0057	120V TWN		11013028	MC GENERAL MOTOR P0057 ASSY.	120V TWN		
	11013029	AS.GEN.MOTORE MC P0057	100V		11013029	MC GENERAL MOTOR P0057 ASSY.	100V		

Saeco
INTERNATIONAL GROUP

SYNTIA CLASS-DGT

Rev. 01 - 12/03/10

TAVOLA 4/5



Saeco SUP037DR
INTERNATIONAL GROUP



Cod.10003064-65-66-85-10003120-21-22-23
Cod.10003271-97-98-99-3320-21-22-23-10003481

POS	CODICE	DESCRIZIONE	NOTE
01	11006067	AS.PIASTRA MONTAGGIO MOTORI.P0057 NERO	
02	NE05.038	MICROINTERRUTTORE	
03	20000900	KIT RICAMBI INGRANAGGI MOTORIDUTTORE V2	
04	9161.132	RONDELLA MYLAR X MOTORIDUTTORE	
05	11003037	AS.MOTORE X MOTORIDUTTORE C/CONDENS.	
06	9121.046	BOCCOLA SINTERIZZATA X MOTORE	
07	148380200	RONDELLA TELA BAKELIZZATA D=5,5	
08	9121.044	ANTIVIBRANTE X MOTORE	
09	11003754	COPERTURA PIASTRA MONTAGGIO P0057 NER.	
10	12000450	VITE TCBR 3,5X12 PLAST.ZN-N	
11	11013531	AS.PERNO RUB.REGOL.FLUSO.ACQ/VAP.V2 P0057	
12	11013530	PERNO RUB.REGOL.FLUSO ACQ/VAP.V2 P0057	
13	NM01.035	OR ORM 0090-20 SILICONE	
14	NM01.057	OR ORM 0050-20 SILICONE	
15	NE05.013	MICROINTERRUTTORE	
16	11013205	GUARNIZ.PIASTRA MOTORE MOTORID.XSM NER.	
17	11012382	GRUPPO CAFFE' 8GR.5BAR S0053 NERO VEDI COD. ESPLOSO E90067	

POS	CODE	DESCRIPTION	NOTE
01	11006067	BLACK RATIOMOTOR MOUNTING PLATE P0057 AS	
02	NE05.038	MICROSWITCH	
03	20000900	SPARES KIT GEARS FOR RATIOMOTOR V2	
04	9161.132	MYLAR WASHER FOR RATIOMOTOR	
05	11003037	MOTOR FOR RATIOMOTOR ASSY.	
06	9121.046	SINTERED BUSH FOR MOTOR	
07	148380200	WASHER BAKELIZZATE D=5,5	
08	9121.044	ANTIVIBRATION FOR MOTOR	
09	11003754	BLACK COVER FOR MOUNTING PLATE P0057	
10	12000450	SCREW TCBR TORX 10 3,5X12 PLAST.ZN-N	
11	11013531	PIN FOR FLOW SELECTOR FAUCET P0057 ASSY.	
12	11013530	V2 PIN FOR FLOW SELECTOR FAUCET P0057	
13	NM01.035	OR ORM 0090-20 SILICONE	
14	NM01.057	OR ORM 0050-20 SILICONE	
15	NE05.013	MICROSWITCH	
16	11013205	SEAL FOR RATIOMOTOR PLATE XSM	
17	11012382	BLACK BREW UNIT 8GR.5BAR P0057 SEE EXP.CODE E90067	