

SUP0310

RI9950/01 - 02



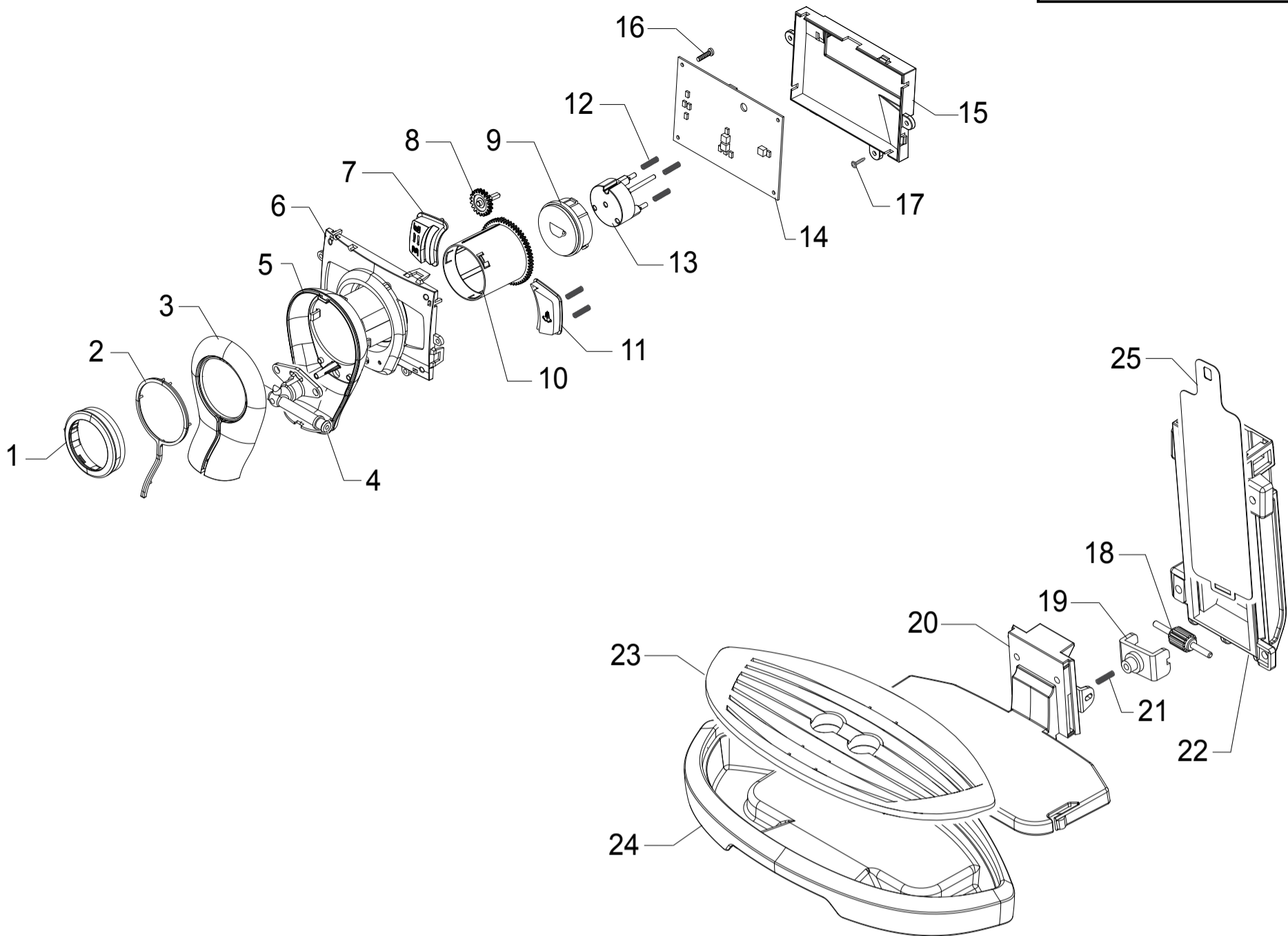
Cod.10003756-58

POS	CODE	DESCRIPTION	NOTE	POS	CODE	DESCRIPTION	NOTE
01	15003998	MANUAL V2 PR SAE SUP0310 P0049/A D/I		32	11022788	PWR BOARD V2 P0053	WITH STD BOILER
	15003999	MANUAL V2 PR SAE SUP0310 P0049/A GB/F				<b>FOR 230V SCH UP TO S/N TW901249599456</b>	
	15004000	MANUAL V2 PR SAE SUP0310 P0049/A E/P		32	11029201	POWER BOARD SB P0049	WITH SLIM BOILER
	15004001	MANUAL V2 PR SAE SUP0310 P0049/A NL/PL				<b>FOR 230V SCH FROM S/N TW901249599457</b>	
	15002803	MANUAL PR SAE P0049/A SUP0310 CHN		33	9161.111	MAGNET FOR FLOAT SUPERAUTOM.	
02	11003889	2POLES CONNECT.SENSOR REED DOOR P0049 UL		34	11008956	SS DOOR LOCK SPRING G0053	
03	11003785	BLACK GRINDER ADJUSTMENT KEY P0049		35	11001340	BLACK DOOR PIN P0049	
04	183911050	BLACK POWER CABLE SCHUKO L=1200		36	11004578	CARBONA DOOR P0049	
	11004247	BLACK POWER CABLE RVV 3X1 CHINA L=1200		37	11001091	BLACK DOOR INSIDE COVER P0049	
05	13001548	PS-E UPPER INSERT V4 FOR BOX P0049		38	11004592	CARBONA ON-OFF BUTTON INSERT P0049	
06	13001547	PS-E LOWER INSERT V4 FOR BOX P0049		39	11011129	SPECCHIATO ON-OFF SWITCH BUTTON P0049	
07	13001322	HAVANA BOX P0049 PR SAE ODEA		40	129913202	SCREW TCB TORX 10 3X8 PLAST.ZN-B	
08	11001746	NAT/GREY WATER CONTAINER P0049 ASSY.		41	11001339	TRANSP.INFRAREDS PLATE P0049	
09	224640200	WHITE WATER CONTAINER EXT.FILTER ASSY.	WITH PART.N°10	42	NF11.084	PHOSPH/STEEL FOLK SPRING	
10	140328461	EPDM OR METRIC 0190-10		43	11001624	BLACK STEAM TUBE WASHER P0049	
11	11003672	SS SPRING FOR WATER CONTAIN.VALVE P0049		44	11005287	BLACK STEAM KNOB BUSH P0053	
12	11003673	GREY WATER CONTAINER VALVE INSERT P0049		45	11003154	BLACK REED SENSOR SUPPORT P0049	
13	11003671	TRANSP.VALVE FOR WATER CONTAINER P0049		46	11028379	PSA KLUBER TRIBOSTAR SIL 2 TUBE 5GR.	
14	11001298	BLACK LID FOR DUCKBILL VALVE P0049		47	129661702	SCREW TCB TORX 3,5X30 PLAST.ZN-B	
15	11001308	NAT/GREY WATER CONTAINER LID P0049					
16	11030061	MOUNTING PLATE W/PIN V3 P0049 ASSY.					
17	11000223	BLACK WHEEL FOR CASING BOTTOM P124					
18	11030679	SPEC.CASING COVER V4 S/SCR.ODEA GO P0049					
19	11010717	SPECCHIATO WATER-STEAM KNOB P0049					
20	11004142	SILVER PLATE LOGO SAECO NEW P0049/P0053					
		<b>UP TO S/N TW901248583301</b>					
21	11004907	BLACK PLATE WITH LOGO ODEA P0049 GO					
		<b>UP TO S/N TW901248583301</b>					
22	11004575	CARBONA RIGHT SIDE CASING P0049					
23	11004576	CARBONA LEFT SIDE CASING P0049					
24	11003533	BLACK DUMP BOX P0049 ASSY.					
25	11030318	CARBONA COFFEE UNIT DRIP TRAY V2 P0049					
26	12001883	CUP SOCKET V3 EN 60320 C 13					
27	11007060	GENERAL SWITCH FOR P124					
28	11004591	CARBONA WATER TANK OUTLET COVER P0049					
29	11011355	TRANSP.BEAN CONTAINER V2 P0049					
30	11001762	NAT/GREY BEAN COFFEE CONT.LID P0049 ASSY					
31	11009191	BLACK POWER BOARD PROTECTION V2 P0049					



PR ODEA GO V2

TABLE 1/6



SUP0310

RI9950/01 - 02

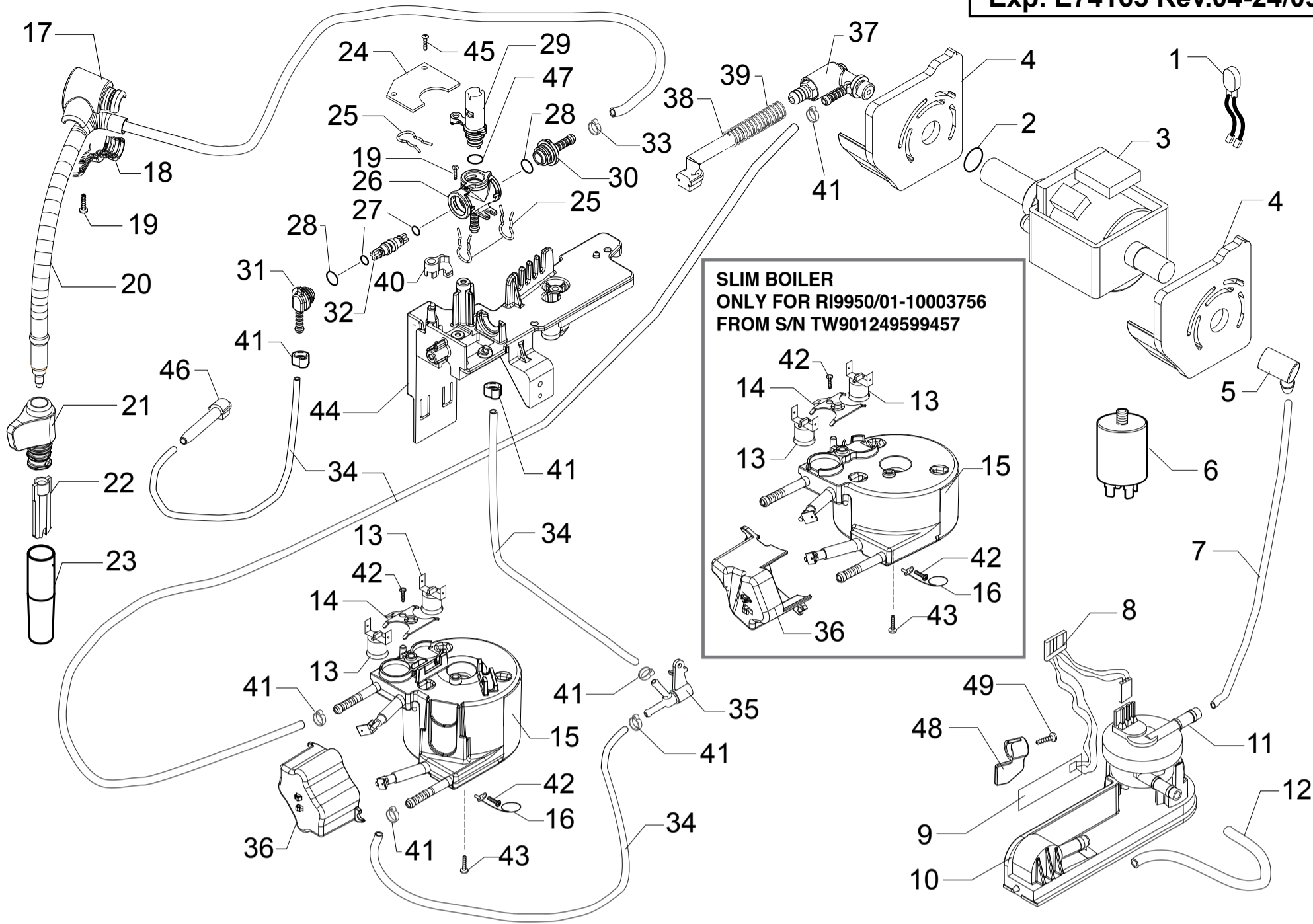


Cod.10003756-58

POS	CODE	DESCRIPTION	NOTE	POS	CODE	DESCRIPTION	NOTE
01	11011220	SPECCH.COFF.HEIGHT REGULATION NUT P0049					
02	11001788	AMBRA COFFEE DISPENSER LENS P0049					
03	11011223	SPECCH.FRONT COFF.DISPENSER COVER P0049					
04	11001772	BLACK COFFEE DISPENSER INNER TUBE P0049					
05	11011221	SPECCHIAT.REAR COF.DISPENSER COVER P0049					
06	11011224	SPECCHIATO FRONT CPU CARD SUPPORT P0049					
07	11001351	BLACK ALLARMS BUTTON P0049					
08	11001320	BLACK GEAR Z=19 P0049					
09	11004388	CARBONA COFFEE BUTTON S/SCR.P0049/A					
10	11001314	BLACK SUPPORT FOR RING NUT P0049					
11	11001353	BLACK STEAM BUTTON P0049					
12	11001363	SS BUTTONS SPRING P0049					
13	11001334	BLACK COFFEE BUTTON SPACER P0049/A					
14	20003340	KIT SPARES CPU+SW V2 P0049 ASSY.	WITH STD BOILER				
	20007210	KIT SPARES CPU+SW SB P0049 ASSY.	WITH SLIM BOILER				
15	11001299	BLACK REAR CPU CARD SUPPORT P0049.					
16	129913202	SCREW TCB TORX 10 3X8 PLAST.ZN-B					
17	12000450	SCREW TCB TORX 10 3,5X12 PLAST.ZN-N					
18	11001758	PIN WITH BLACK INSERT P0049 ASSY.					
19	11001335	BLACK DRIP TRAY PIN INSERT P0049					
20	17002054	BLACK DRIP TRAY SUPPORT V2 P0049					
21	11001364	SS DRIP TRAY MOVE SPRING P0049					
22	11001294	BLACK DRIP TRAY GUIDE P0049					
23	11011128	SPECCHIATO GRATE FOR DRIP TRAY P0049					
24	11009633	CARBONA DRIP TRAY P0049					
25	11007037	SPECCHIATO DRIP TRAY PROTECTION V2 P0049					



PR ODEA GO V2



SUP0310

RI9950/01 - 02



Cod.10003756-58

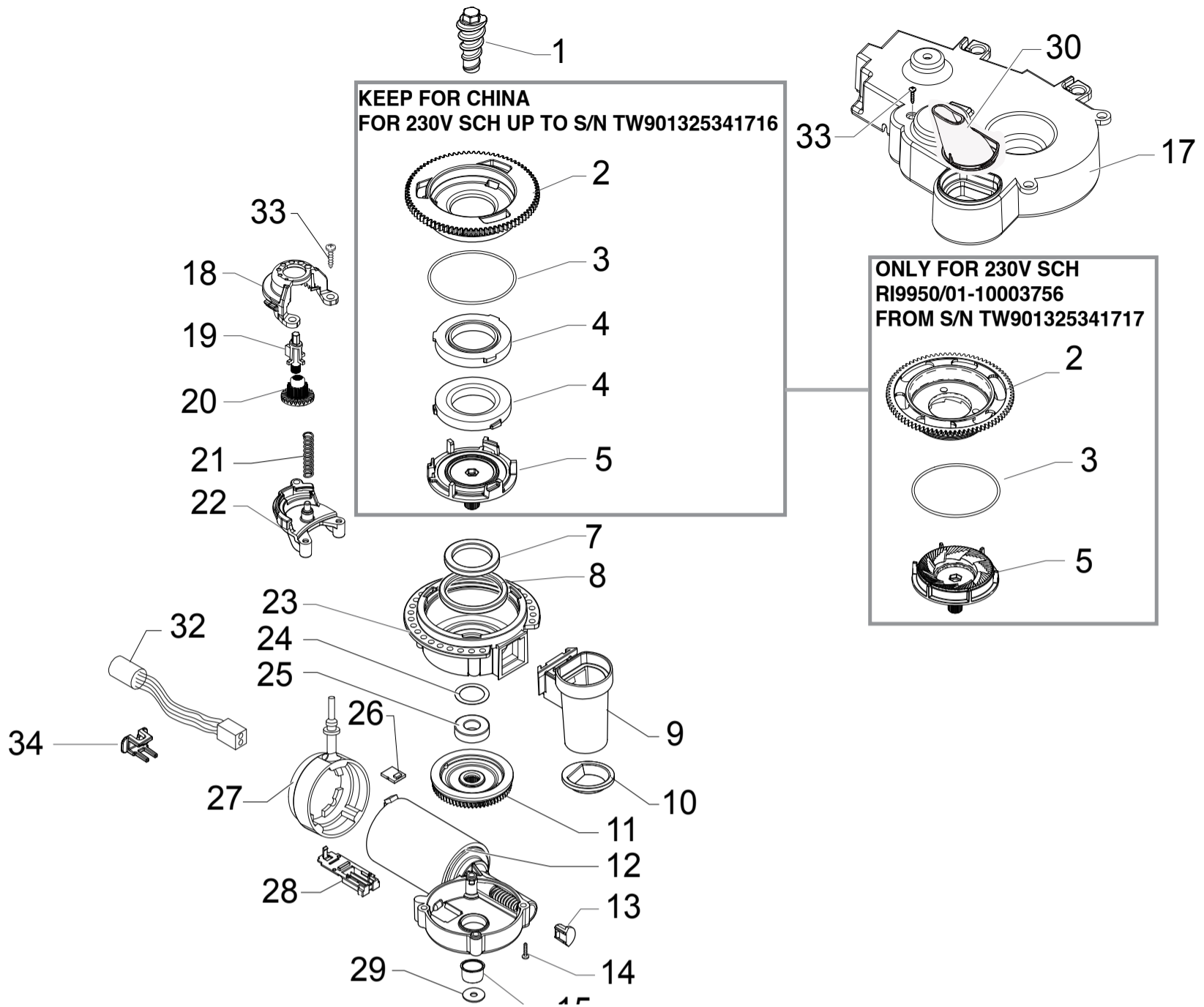
POS	CODE	DESCRIPTION	NOTE	POS	CODE	DESCRIPTION	NOTE
01	11005668	2POLES CONNECTOR PUMP P0049 UL	230V	37	11004689	TEA/BRASS SAFETY VALVE 16-18 BAR ASSY.	
02	140321961	OR 2031 IN TERMOIL		38	11001629	BLK PUMP WATER DESCARGING CONNECT.P0049	
03	12000140	ULKA PUMP EP5/S GW	230V-50HZ	39	11005003	SS DESCARGING WATER CONNECT.SPRING P0049	
04	11006296	BLACK PUMP SUPPORT P0049 ASSY.		40	11008876	BLK BRASS FAUCET BLOCK INSERT P0049/A	
05	147920150	90° INLET PUMP CONNECTOR		41	12000892	OETIKER CLAMP D=9,5 16700004	
06	12000005	ANTIDISTURB FILTER 10A FNC 1005474103P	230V	42	12001715	SCREW TCB TORX 20 M4X8 AUTOFORMING ZN-B	
07	149360200	SILICONE TUBE 5X8 70SR 25 MT	IN ROLL	43	129932502	SCREW TSP 5X30 PLAST.ZN-B	WITH STD BOILER
08	11005648	6 POLES CONNECT.LEVEL+FLOWMETER P0049 UL	230V		12001369	SCREW TSP TORX 10 5X35 PLAST.SS	WITH SLIM BOILER
09	11003232	AS.CPU+SW WATER LEVEL SENSOR V2		44	11001332	BLACK BOILER-FAUCET-VALVE SUPPORT P0049	
10	11003670	BLACK TURBINE SUPPORT V2 P0049		45	129913202	SCREW TCB TORX 10 3X8 PLAST.ZN-B	
11	12000781	TURBINE D=1,2 932-8521/90 ASSY.		46	11001630	BLK MILK ISLAND DESCARGING WATER CONNECT	
12	JS01.022	SILICONE TUBE 5X10 60SH	IN ROLL	47	12001615	OR 2025 IN EPDM PEROX.FDA 70 SH	
13	12001034	THERMOSTAT ONE SHOT 175°	WITH STD BOILER	48	17001879	BLK CAPACIT.SENSOR DEADLOCK INSERT P0049	
	262279998757	THERMOSTAT OPEN/CLOSE 190/-35DEGC B	WITH SLIM BOILER	49	12000450	SCREW TCBR TORX 10 3,5X12 PLAST.ZN-N	
14	11001751	TUB.BOILER V3 UPPER THERMOSTATES SPRING			11025775	TEA/BRASS FAUCET V2 P0049-P0053 ASSY.	
15	11011341	V4 TUB.BOILER ASSY.	KEEP FOR CHINA			WITH PART. N°25-26-27-28-29-30-31-32-47	
		<b>FOR 230V SCH UP TO S/N. TW901249599456</b>		11001748		TUB.BOILER P0049/A 230V ASSY.	KEEP FOR CHINA
		<b>FROM S/N TW901249599457</b>		11023771		SLIM TUB.BOILER P0049/A 230V ASSY.	ONLY FOR 230VSCH
	11013735	SLIM TUB.BOILER 1300W 230V ASSY.	ONLY FOR 230V SCH			<b>FROM S/N TW901249599457</b>	
16	190800100	TEMPERATURE SENSOR NTC UL L=280MM					
17	11004196	CHROM.UPPER STEAM TUBE COVER P0049					
18	11004197	CHROM.LOWER STEAM TUBE COVER P0049					
19	129913902	SCREW TCB TORX 10 3X12 PLAST.ZN-B					
20	11022486	TF/CHROM.STEAM TUBE V2 P0049/P0053 ASSY.					
21	421941300681	BLK/SIL.STEAM TUBE HANDGRIP P0049					
22	11001620	BLACK PANNARELLO INNER TUBE P0049					
23	11001769	BLACK PANNARELLO COVER P0049					
24	11007569	FAUCET ELECTRONIC CARD G0053 ASSY.					
25	11001499	SS FAUCET FORK SPRING P0049					
26	11004625	TEA/BRASS FAUCET CASING P0049					
27	12001614	OR 2012 IN EPDM PEROX.FDA 70 SH					
28	12001613	OR 108 IN EPDM PEROX.FDA 70 SH					
29	11025776	PLAST/BRASS FAUCET SHAFT V2 P0049 ASSY.					
30	11001546	BLACK FAUCET STRAIGHT CONNECTOR P0049					
31	11001544	BLACK FAUCET CONNECTOR P0049					
32	11004134	TEA/BRASS FAUCET SHAFT P0049					
33	NF11.052	OETIKER CLIP					
34	16000380	5X8,9 SILICONE TUBE	IN ROLL				
35	11001330	BLACK CONNECTOR FOR PIN BOILER P0049					
36	11005284	BLACKBOILER CONNECTORS COVER P0049/P0053	WITH STD BOILER				
	17000386	BLK BOILER CONNECTORS COVER P0049/P0053	WITH SLIM BOILER				



PR ODEA GO V2

TABLE 3/6





SUP0310

RI9950/01 - 02



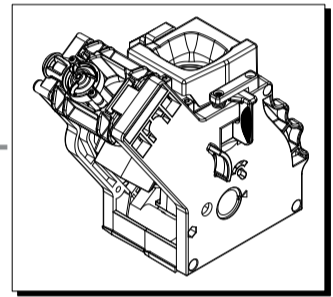
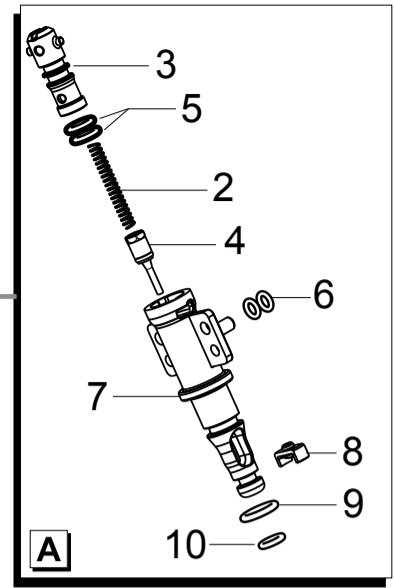
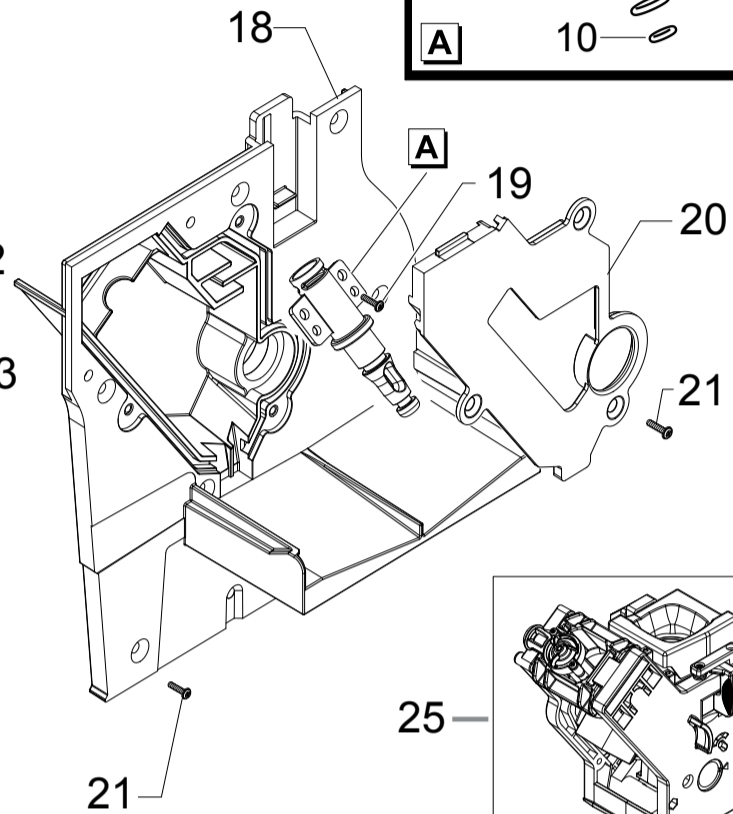
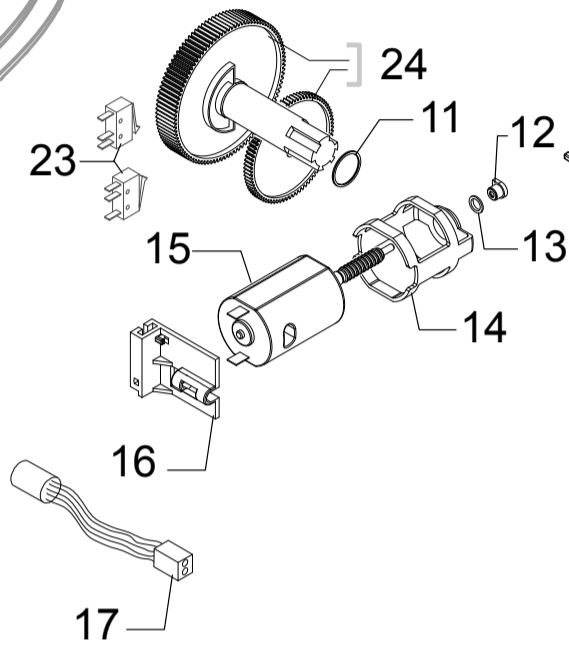
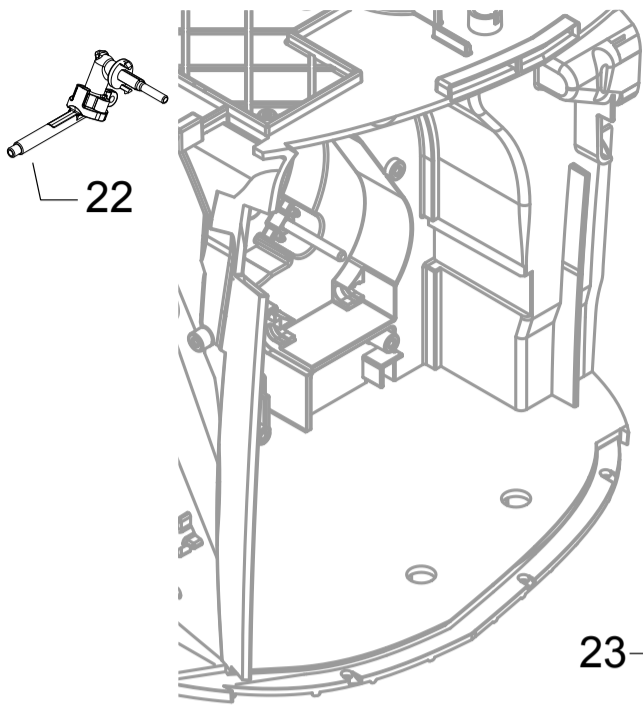
Cod.10003756-58

POS	CODE	DESCRIPTION	NOTE	POS	CODE	DESCRIPTION	NOTE
01	11011205	TEA ZAMA INCREASE SCREW GRINDER		32	11005658	5POLES CONNECTOR MC SENSORS P0049 UL	230V
02	421941094152	BLK COF.GRINDER UPPER GRINDER SUPPORT V2	KEEP FOR CHINA	33	129914002	SCREW TCB TORX 10 3,5X16 PLAST.ZN-B	
	11027349	BLK UPPER SUPPORT WITH COMOLDED MILL V2	ONLY FOR 230V SCH	34	17001921	BLK WIRING FIX INSERT FOR GRINDER BOARD	
		<b>FROM S/N TW901325341717</b>			11007416	GEN.MOTOR COF.GRINDER V2 P0049 ASSY.230V	KEEP FOR CHINA
03	140328960	NBR FDA OR METRIC 0530-15			421941303031	GEN.MOTOR COF.GRINDER COM.P0049 230V ASS	ONLY FOR 230V SCH
04	146520100	BAKED CLAY GRINDER 48X28	KEEP FOR CHINA			<b>FROM S/N TW901325341717</b>	
		<b>FOR 230V SCH UP TO S/N TW901325341716</b>					
05	149198350	BLK LOWER COFFEEGRINDER GRINDER SUPPORT	KEEP FOR CHINA				
		<b>FOR 230V SCH UP TO S/N TW901325341716</b>					
	11027348	BLK LOWER SUPPORT WITH COMOLDED MILL V2	ONLY FOR 230VSCH				
		<b>FROM S/N TW901325341717</b>					
06	129574802	SCREW TCB TORX 20 M4X30 ZN-B					
07	123030300	AXIAL BEARING EKKO 342.35252					
08	140360500	FELT RING 45,4X39,4X4					
09	11026355	BLK GROUND COFF.OUTLET CONVEYOR V4 ASSY.					
10	11030459	GRY GROUND COFFEE CONT.LOWER SEAL SMART1					
11	226000300	GEAR SX Z=38 FOR GRINDER MOTION ASSY.					
12	11000513	MOTOR COFFEEGRINDER V3.1 ASSY.	230V				
13	149214800	MC V3 MOD=1,25 WORM SCREW CENTRING CAP					
14	129661702	SCREW TCB TORX 3,5X30 PLAST.ZN-B					
15	11002873	INSULATOR BUSH FOR GRINDER MOTOR P124					
16	11000597	COFFEE GRINDER SUPPORT SPRING P124					
17	11001826	COFFEE GRINDER SOUNDPROOFING COVER P0053					
18	11002508	UPPER COFFEEGRINDER GEAR SUPPORT P124					
19	11003446	BLACK BEAN COFFEE GRINDER INSERT P0049					
20	11003784	COFFEE GRINDING ADJUSTMENT GEAR P0049					
21	11002572	COFFEEGRINDER REGULATION SPRING P124					
22	11002613	LOWER COFFEEGRINDER GEAR SUPPORT P124					
23	142905450	BLK UPPER BODY WITH COFFEE GROUND OUTLET					
24	128381800	STEEL CRINKLE WASHER 21,8X14X0,25					
25	123030200	RADIAL BEARING 61900.2RS1					
26	181540900	ELECTR.BOARD WITH SENSOR HAL506 SF-K					
27	11001367	BLACK COFFEE GRINDER SUPPORT P0049					
28	149199050	BLK SENSOR SUPPORT FOR COF.GRINDER MOTOR					
29	128381902	STEEL FLAT WASHER DI=4,3 DE=14 SP=1,5					
30	11004199	BLACK BREW UNIT CONDENSE CONVEYOR P0049					
31	128310402	GALV.WASHER UNI 8842 A4					



PR ODEA GO V2

TABLE 4/6



SUP0310

RI9950/01 - 02



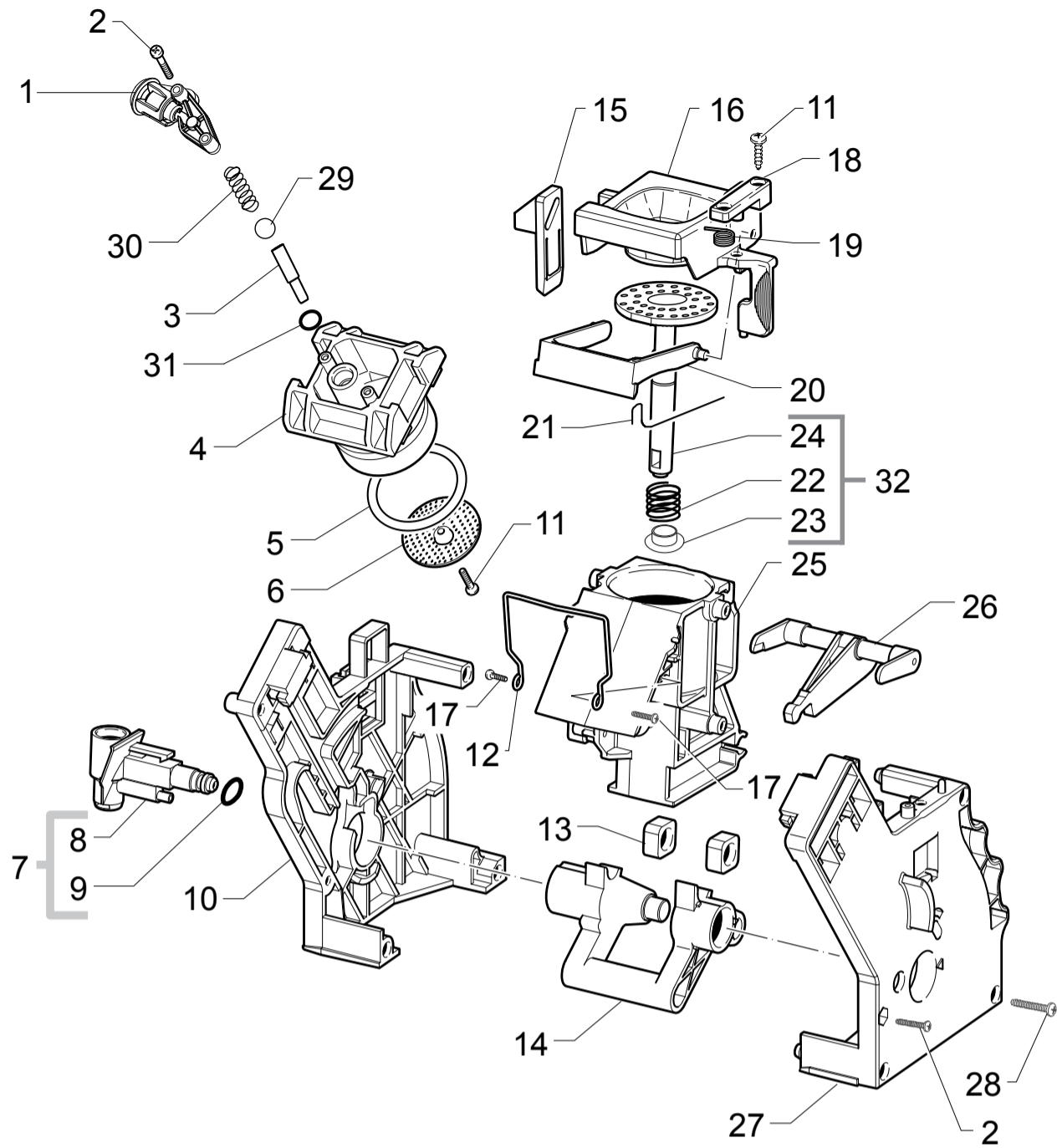
Cod.10003756-58

POS	CODE	DESCRIPTION	NOTE	POS	CODE	DESCRIPTION	NOTE
01	11005060	PIN V2 FOR BOILER P119 ASSY.					
02	9011.132	SS SPRING FOR PIN					
03	11003820	BLACK CAP V2 FOR PIN BOILER P119					
04	11009019	TEA/BRASS PISTON L=20,9 ASSY.					
05	140324459	OR ORM 0060-20 IN SILICONE PTFE/FDA					
06	140328059	OR 2015 IN SILICONE PTFE/FDA					
07	11003801	NAT.PIN V2 FOR BOILER P119					
08	11005099	NATURAL CURSOR V2 FOR BOILER P119					
09	NM01.035	OR ORM 0090-20 SILICONE					
10	NM01.057	OR ORM 0050-20 IN SILICONE					
11	9161.132	MYLAR WASHER FOR RATIOMOTOR					
12	9121.046	BRONZE SINTERED BUSH FOR MOTOR RATIOMOT.					
13	148380200	BAKELIZZATE WASHER D=5,5					
14	9121.044	ANTIVIBRATION FOR MOTOR					
15	11005214	MOTOR FOR RATIOMOTOR P124 ASSY.					
16	11001331	BLACK DUMP BOX MICROSWITCH SUPPORT P0049					
17	11003661	REED SENSOR MK3-1A66-BV16451					
18	11006337	BLACK COVER MOUNTING PLATE P0049 ASSY.					
19	129914002	SCREW TCB TORX 10 3,5X16 PLAST.ZN-B					
20	11001312	BLACK COVER FOR BOILER VAIN P0049					
21	129914102	SCREW TSP TORX 10 3,5X12 PLAST.ZN-B					
22	11010544	COFFEE DISPENSING VALVE V4 P0049 ASSY.					
23	NE05.038	MICROSWITCH					
24	20000900	SPARES KIT GEARS FOR RATIOMOTOR V2					
25	11012382	BLACK BREW UNIT 8GR.5BAR P0057					



PR ODEA GO V2

TABLE 5/6



SUP0310

RI9950/01 - 02



Cod.10003756-58

POS	CODE	DESCRIPTION	NOTE	POS	CODE	DESCRIPTION	NOTE
01	11009362	BLACK COFFEE OUTLET SLEEVE S0053 ASSY.					
02	12000550	SCREW TCB TORX 10 3X25 PLAST.SS					
03	11009276	TUBE FOR COUNTER PISTON BREW UNIT S0053					
04	11001840	BLACK COUNTER PISTON BREW UNIT 8GR.P124					
05	NM01.044	OR ORM 0320-40 SILICONE PTFE/FDA					
06	9161.268	PERCOLATOR DE=35,8 ELFO					
07	20000440	BLACK SPARE SLEEVE UNIT					
08	9161.064.050	BLACK WATER INLET SLEEVE BREW UNIT					
09	NM02.007	OR 2025 TERMOIL					
10	9161.375.050	BLACK REAR PLATE FOR BREW UNIT SMART					
11	12000895	SCREW TSP TORX 10 3X10 PLAST.SS					
12	11001556	SPRING H=49 FOR COFFEE BREW UNIT SMART					
13	9161.094.150	GREY DRILLED BLOCK BREW UNIT					
14	9161.066.050	ELBOW SHAFT FOR UNIT BLACK					
15	9161.373.050	BLACK COUPLING PLATE BREW UNIT SMART					
16	149261350	BLACK HOPPER DOSER BREW UNIT SMART1					
17	129912521	SCREW TCB TORX 10 3,5X14 PLAST.SS					
18	9161.374.050	BLACK HOPPER BLOCKING PLATE UNIT SMART					
19	9161.378	SPRING HOPPER SMART BREW UNIT					
20	11004161	BLACK SCRAPER FOR COFFEE UNIT					
21	9161.046	SPRING FOR UNIT SCRAPER					
22	9161.198	PISTON SPRING BREW UNIT M5000					
23	9161.191	NEUTRAL PISTON BUSH BREW UNIT M5000					
24	11003077	BLACK INTEGRAL PISTON UNIT P124 8GR.ASS					
25	11003075	BLACK COFFEE CONTAINER BREW UNIT P124	WITH PART. N° 12				
26	11003078	BLACK CONNECTING ROD FOR UNIT P124 8GR.					
27	11005920	BLACK FRONT PLATE BREW UNIT SMART S.SCR.					
28	12000897	SCREW TCB TORX 10 3,5X20 PLAST.SS					
29	9991.168	GLASS SPHERE D.5MM					
30	11012095	SPRING FOR CONTERPISTON UNIT S0053					
31	140328761	OR METRIC 0060-15 IN TERMOIL					
32	11023086	BLK 8GR.BREW UNIT NTEGR.PISTON GEN.ASSY.					
	11012382	BLACK BREW UNIT 8 GR.5 BAR S0053					



PR ODEA GO V2

TABLE 6/6