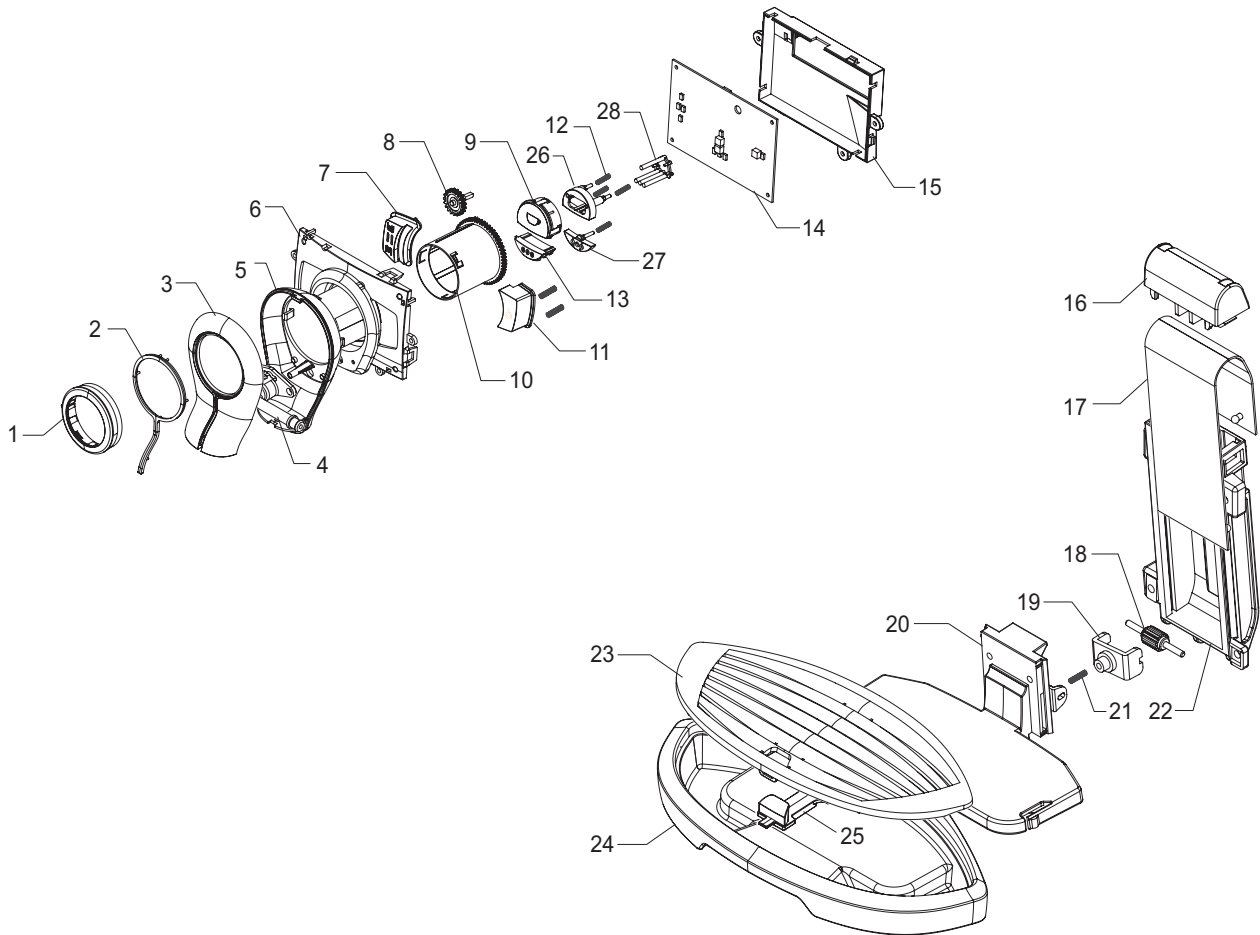


**Saeco** SUP031OR  
INTERNATIONAL GROUP



Cod. 1000206-249  
260-261-1340-1341

POS	CODE	DESCRIPTION	NOTE	POS	CODE	DESCRIPTION	NOTE
01	15000268	MANUAL INSTRUCTIONS SAECO P0049/B NL/PL		30	11001762	TRANSPAR.BEAN COFF. CONTAIN.LID ASS.P0049	
	15000723	MANUAL INSTRUCTIONS SAECO P0049/B D/I		31	11002842	BLACK POWER BOARD PROTECTION P0049	
	15000724	MANUAL INSTRUCTIONS SAECO P0049/B GB/F		32	11001360	PWR BOARD P0049/P0053 230V	
	15000725	MANUAL INSTRUCTIONS SAECO P0049/B E/P		33	9161.111	MAGNET FOR FLOAT SUPERAUTOM.	
02	127390100	BRUSH FOR CLEANING		34	11001362	SPRING FOR LOCK P0049	
03	11003785	BLACK GRINDER ADJUSTMENT KEY P0049		35	11001340	BLACK DOOR PIN P0049	
04	183911050	POWER CABLE SCHUKO BLACK L=1200		36	11004578	CARBONA DOOR P0049	
	183930650	PO.CABL.CH BLACK 3X1 H05VV-F L=1200			11004391	TITANIO DOOR P0049	
05	13000123	UPPER TECHMATE INSERT FOR BOX P0049			11004413	MATTONE DOOR P0049	
06	13000122	LOWER TECHMATE INSERT FOR BOX P0049		37	11001091	BLACK INSIDE COVER DOOR P0049	
07	13000124	DISPLAY BOX SAECO P0049		38	11004592	CARBONA ON-OFF BUTTON INSERT P0049	
08	11001746	TRANSPARENT WATER CONTAINER P0049 ASSY.			11004055	TITANIO ON-OFF BUTTON INSERT P0049	
09	224640200	EXTERNAL FILTER FOR WATER CONTAINER ASSY	WITH PART. N°10	39	11004378	SILVER ON-OFF SWITCH BUTTON P0049 S.SCR.	
10	140328461	EPDM OR METRIC 0190-10		40	11001437	BLACK CAP FOR CONNECTIONS P0049/P0053	
11	11003672	SPRING FOR WATER CONTAINER VALVE P0049		41	11001339	TRANSPATE INFRAREDS PLATE P0049	
12	11003673	GREY WATER CONTAINER VALVE INSERT P0049		42	NF11.084	FOLK SPRING	
13	11003671	TRANSP.VALVE FOR WATER CONTAINER P0049		43	11001624	STEAM TUBE WASHER P0049	
14	11001298	BLACK LID FOR DUCKBILL VALVE		44	11001368	BLACK KNOB SEAL P0049	
15	11001308	NATURAL/GREY WATER CONTAINER LID P0049		45	11003154	BLACK REED SENSOR SUPPORT P0049	
16	11001740	MOUNTING PLATE WITH PIN P0049 ASSY.		46	1501.098	SILICONE GREASE CONFECTIONS	
17	11000223	BLACK WHEEL FOR CASING BOTTOM P124		47	11005040	SPRING FOR ON-OFF BUTTON P0049	
18	11004381	SILVER COVER P0049		48	11003661	REED SENSOR MK3-1A66-BV16451	
19	11004374	SILVER WATER-STEAM KNOB P0049 S.SCREEN					
20	11004142	SILVER PLATE LOGO SAECO NEW P0049/P0053					
21	11004908	BLACK PLATE WITH LOGO ODEA P0049 GIRO					
	11004909	BLACK PLATE W/LOGO ODEA P0049 GIRO PLUS					
22	11004575	CARBONA RIGHT SIDE CASING P0049					
	11004389	TITANIO RIGHT SIDE CASING P0049					
	11004411	MATTONE RIGHT SIDE CASING P0049					
23	11004576	CARBONA LEFT SIDE CASING P0049					
	11004390	TITANIO LEFT SIDE CASING P0049					
	11004412	MATTONE LEFT SIDE CASING P0049					
24	11003533	BLACK DUMP BOX P0049 ASSY.					
25	11004579	CARBONA DRIP TRAY COFFEE UNIT P0049					
	11004414	MATTONE DRIP TRAY COFFEE UNIT P0049					
26	12000280	CUP SOCKET EN 60320 C 13					
27	11000592	SAIA 3292 GENERAL SWITCH FOR P124					
28	11004591	CARBONA WATER TANK OUTLET COVER P0049					
	11004393	TITANIO WATER TANK OUTLET COVER P0049					
	11004415	MATTONE WATER TANK OUTLET COVER P0049					
29	11001293	NATURAL/GREY BEAN CONTAINER P0049					

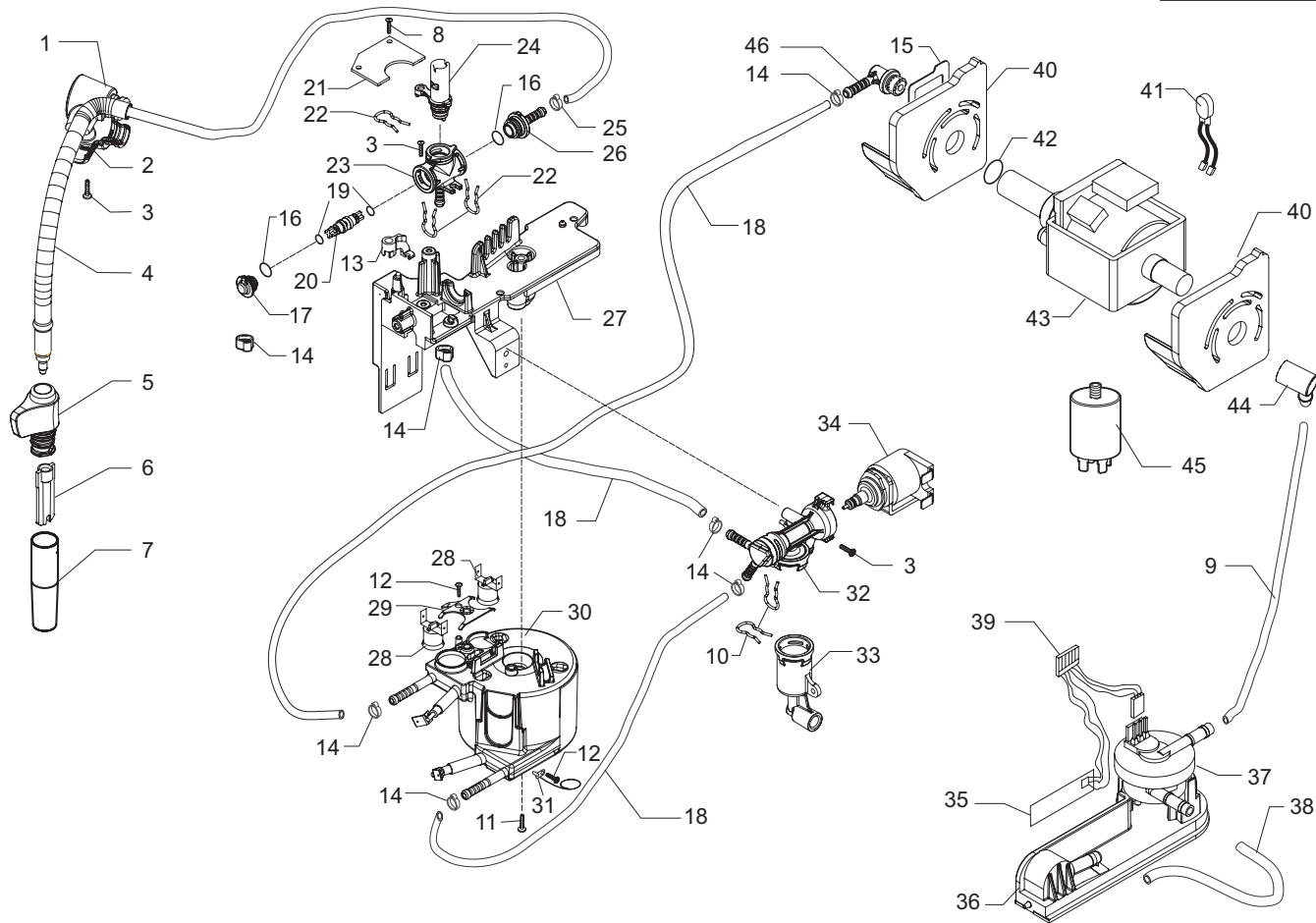


**Saeco** SUP031OR  
INTERNATIONAL GROUP



**Cod. 1000206-249**  
**260-261-1340-1341**

POS	CODE	DESCRIPTION	NOTE	POS	CODE	DESCRIPTION	NOTE
01	11004387	SILVER HEIGHT REGULATION NUT P0049					
02	11001788	AMBRA COFFEE DISPENSER LENS P0049					
03	11004385	SILVER FRONT COF.DISPENSER COVER P0049					
04	11001772	INNER CASING COFFEE DISPENSER BLACK					
05	11004383	SILVER REAR COF.DISPENSER COVER P0049					
06	11004382	SILVER SUPPORT ELECTR.CARD P0049					
07	11001351	BLACK BUTTON FOR ALLARMS P0049					
08	11001320	BLACK GEAR Z=19 FOR P0049					
09	11001354	BLACK COFFEE BUTTON P0049/B					
10	11001314	BLACK SUPPORT FOR RING NUT P0049					
11	11001352	BLACK WATER BUTTON P0049					
12	11001363	SPRING FOR BUTTONS P0049					
13	11001355	BLACK COFFEE DOSE BUTTON P0049/B					
14	11001092	AS.CPU+SW P0049					
15	11001299	BLACK SUPPORT ELECTR.CARD CPU P0049.					
16	11001304	BLACK DRIP TRAY GUIDE LID P0049					
17	11001438	SILVER DRIP TRAY SUPPORT PROTECT.P0049					
18	11001758	PIN WITH BLACK INSERT ASSY.P0049					
19	11001335	BLACK PIN INSERT FOR DRIP TRAY P0049					
20	11001295	BLACK DRIP TRAY SUPPORT P0049					
21	11001364	MOVE DRIP TRAY SPRING P0049					
22	11001294	BLACK DRIP TRAY GUIDE P0049					
23	11004379	SILVER GRATE FOR DRIP TRAY P0049					
24	11004380	CARBONA DRIP TRAY P0049					
25	11004185	AMBRA FLOAT FOR DRIP TRAY P0049					
26	11001350	BLACK COFFEE BUTTON SPACER P0049/B					
27	11001309	BLACK SPACER FOR COFF.DOSE BUTTON P0049					
28	11001291	TRANSPARENT CAP LED COVER P0049					



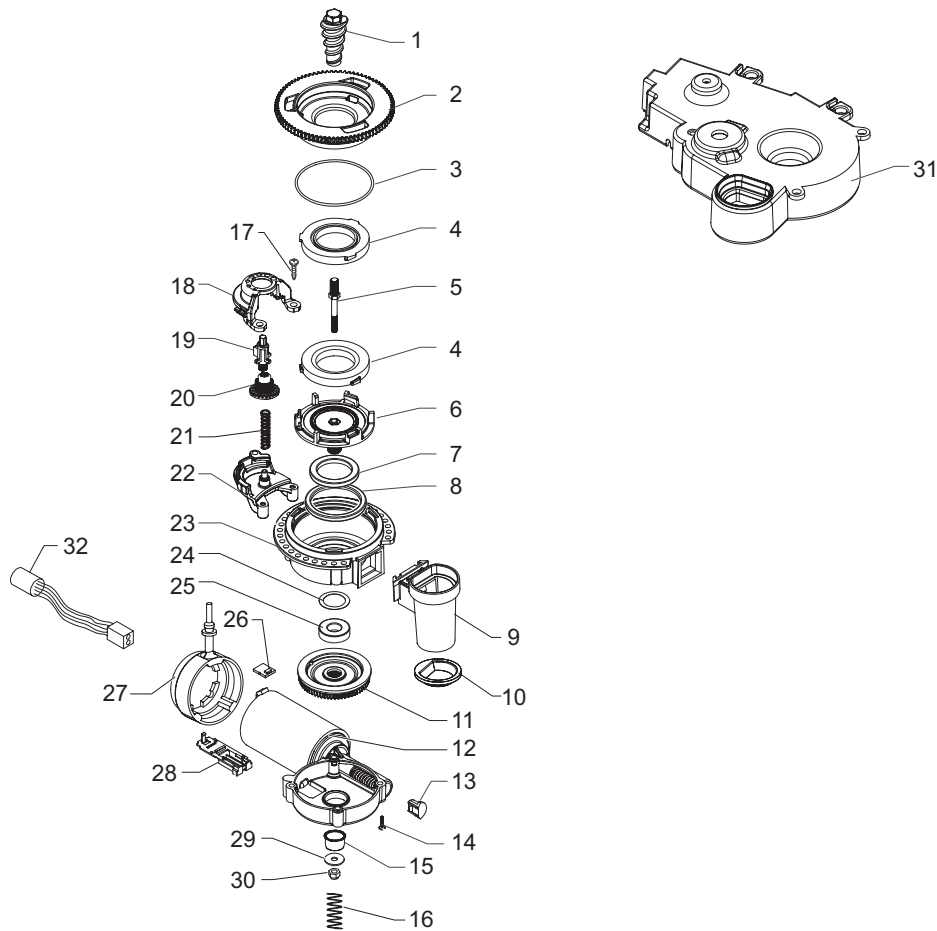
**Saeco** SUP031OR  
INTERNATIONAL GROUP



Cod. 1000206-249  
260-261-1340-1341

POS	CODE	DESCRIPTION	NOTE
01	11004196	CHROMED UPPER STEAM TUBE COVER P0049	
02	11004197	CHROMED LOWER STEAM TUBE COVER P0049	
03	129912202	SCREW TCB TORX T10 3X12 UNI 9786 ZN	
04	11003122	STEAM TUBE P0049 ASSY.	
05	11001625	STEAM TUBE HANDGRIP P0049	
06	11001620	PANNARELLO INTERNAL TUBE P0049	
07	11001621	STAINLESS STEEL COVER PANNARELLO P0049	
08	129912702	SCREW PT TORX 3X10 WN 1411 GALVANIZ	
09	149360200	SILICONE TUBE 5X8 70SR IN ROLL	
10	11005096	FORK SPRING FOR VALVE P0049	
11	129932502	GALVANIZDE SELF DRILLING SCREW 5X30	
12	129573202	SCREW TCB PH/TT 4X8 UNI 8112 ZNP	
13	11003047	FAUCET BLOCK INSERT P0049/A	
14	12000361	OETIKER CLAMP D=9 16702491	
15	11004776	STEEL BRACKET PUMP SUPPORT P0049	
16	12000042	OR 108 IN VITON FDA 70 SH	
17	11001753	CAP FOR PIN FAUCET BLOCK P0049	
18	16000190	4,2X8,2 SILICON TUBE IN ROLL	
19	12000541	OR 2012 IN VITON FDA 70 SH	
20	11004134	BRASS FAUCET SHAFT P0049	
21	11000262	TAP ELECTRONIC CARD P0049/P0053 5V	
22	11001499	FORK SPRING FOR FAUCET P0049	
23	11001545	FAUCET CASING P0049	
24	11004135	PLAST/BRASS FAUCET SHAFT P0049 ASSY.	
25	NF11.052	OETIKER CLIP	
26	11001546	FAUCET STRAIGHT CONNECTOR P0049	
27	11001332	SUPPORT FOR BOILER-FAUCET-VALVE P0049	
28	189428600	THERMOSTAT 175° 1NT-08L-5125	
29	11001751	THERMOSTATES SPRING FOR BOILER	
30	11001750	ALUM.BOILER/V3 1300W 230V ASSY.	
31	190800100	TEMPERATURE SENSOR NTC UL L=280MM	
32	20000591	BLOWDOWN VALVE CASING P0049 ASSY.	
33	20000592	BLOWDOWN VALVE CONNECTOR P0049 ASSY.	
34	20000590	BLOWDOWN VALVE COIL P0049 230V ASSY.	
35	11000651	WATER LEVEL SENSOR BOARD P124	
36	11003670	BLACK TURBINE SUPPORT/V2 P0049	
37	JS01.022	SILICONE TUBE 5X10 60 SHORE IN ROLL	
38	NV99.099	DIGMESA TURBINE FHKSC 1,2 ARNITE OC	
39	11001790	6POLES CONNECTOR LEVEL+FLOWMETER P0049	
40	11001365	BLACK PUMP SUPPORT P0049	
41	11001778	2POLES CONNECTOR PUMP P0049	

POS	CODE	DESCRIPTION	NOTE
42	140321961	OR 2031 IN TERMOIL	
43	12000140	ULKA PUMP EP5/S GW 230V-50HZ	
44	147920150	90° CONNECTOR PUMP INLET	
45	12000005	ANTIDISTURB FILTER 10A FNC 1005474103P	
46	11001054	90°CONNECTOR PUMP OUTLET P0049/B	
	11001752	FAUCET P0049/A-C ASSY. WITH PART. N°16-17-19-20-22-23-24-26	
	11001543	BLOWDOWN VALVE P0049 230V ASSY. WITH PART. N°10-32-33-34	
	11001743	GENERAL TURBINE AS.FOR G6000 WITH PART. N°35-36-37-38-39	
	11002031	ALUM.BOILER P0049/C 230V ASSY.	

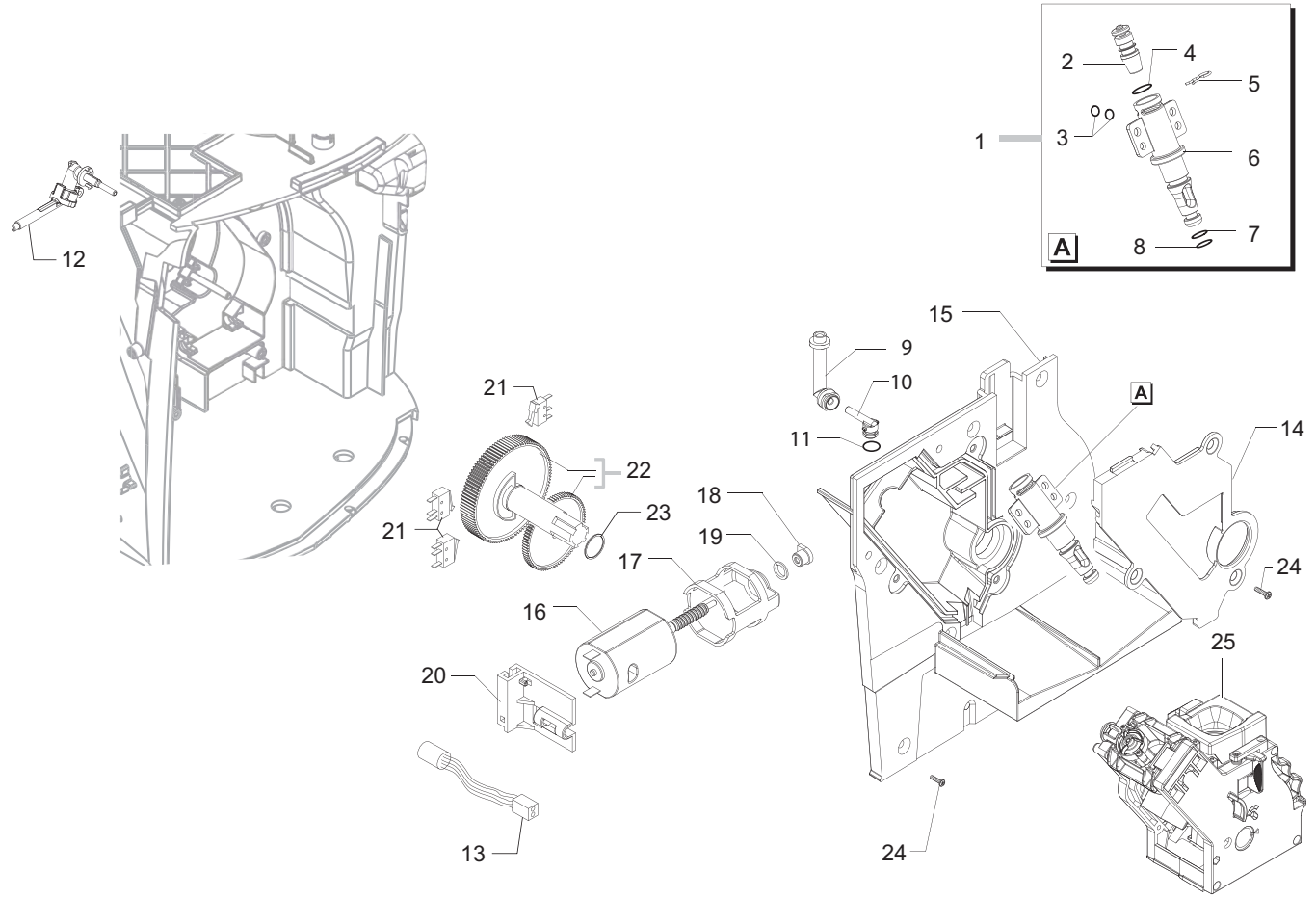


**Saeco** SUP031OR  
INTERNATIONAL GROUP



Cod. 1000206-249  
260-261-1340-1341

POS	CODE	DESCRIPTION	NOTE	POS	CODE	DESCRIPTION	NOTE
01	9141.001	SCREW OF INCREMENT					
02	149198250	UPPER GRINDER SUPPORT COFFEEGRINDER					
03	140328960	NBR FDA OR METRIC 0530-15					
04	146520100	BAKED CLAY KLAGER GRINDER 48X28					
05	127473603	STEEL PIN M4-M6 FOR INCREMENT SCREW					
06	149198350	LOWER GRINDER SUPPORT COFFEEGRINDER					
07	123030300	AXIAL BEARING EKKO 342.35252					
08	140360500	FELT RING 45,4X39,4X4					
09	222870250	GROUND COFFEE OUTLET CONVEYOR ASSY.					
10	145854462	GROUND COFFEE CONT.SEAL LOWER SMART1					
11	226000300	GEAR SX Z=38 FOR GRINDER MOTION ASSY.					
12	11000513	MOTOR COFFEEGRINDER/V3.1 DOMEL 230V ASSY					
13	149214800	CAP FOR WORM SCREW MC/V3 CENTRING					
14	129661702	PANELVIT TCB SCREW 3,5X25 D.7505 ZN					
15	11002873	INSULATOR BUSH FOR GRINDER MOTOR P124					
16	11000597	COFFEE GRINDER SUPPORT SPRING P124					
17	129660102	PANELVIT TCB SCREW 3,5X18 D.7505 Z					
18	11002508	UPPER GEAR SUPPORT COFFEEGRINDER P124					
19	11003446	BLACK INSERT FOR COFFEE GRINDER P0049					
20	11003784	COFFEE GRINDING ADJUSTMENT GEAR P0049					
21	11002572	GRINDER REGULATION SPRING P124					
22	11002613	LOWER GEAR SUPPORT COFFEEGRINDER P124					
23	149205450	SWITCH+SOCKET POWER CABL.SUPP.SMART					
24	128381800	CRINKLE WASHER 21,8X15,8X0,2					
25	123030200	RADIAL BEARING 61900.2RS1					
26	181540900	ELECTRONIC BOARD WITH SENSOR HAL506					
27	11001367	BLACK COFFEE GRINDER SUPPORT P0049					
28	149199050	SENSOR SUPPORT FOR COFF.GRIND.MOTOR					
29	128381902	GALVAN.FLAT WASH.DI=4,3 DE=14 SP=1,5					
30	123453102	SELF LOCK NUT M4 DIN 982 HIGH GALV.					
31	11001826	SOUNDPROOFING COVER FOR COFGRINDER P0053					
32	11003449	5POLES CONNECTOR MC SENSORS P0049					
	11001744	GENERAL MOTOR MC ASSY P0049 230V					



**Saeco** SUP031OR  
INTERNATIONAL GROUP

**CE** Cod. 1000206-249  
260-261-1340-1341

POS	CODE	DESCRIPTION	NOTE	POS	CODE	DESCRIPTION	NOTE
01	11001991	PIN FOR BOILER P049/B ASSY.					
02	11000692	NIKELED BRASS CAP FOR PIN BOILER P119					
03	140328059	OR 2015 IN SILICONE PTFE/FDA					
04	140324459	OR METRICO 0060-20 SILICON.PTFE/FDA					
05	9011.144	FORK FOR TUBE D.4					
06	11003825	PIN FOR BOILER P119					
07	NM01.035	OR ORM 0090-20 SILICONE					
08	NM01.057	OR ORM 0050-20 SILICONE					
09	11004086	VALVE DESCARGING WATER 90° CONNECTOR					
10	11003648	COVER DESCARGING WATER 90° CONNECTOR					
11	140325462	OR METRIC 0070-20 IN SILICONE					
12	11003468	COFFEE DISPENSING VALVE P0049 ASSY.					
13	11003899	10POL.CONNec.W/REED PLATE UNIT P0049 ASS					
14	11001312	BLACK COVER FOR VAIN BOILER P0049					
15	11001079	BLACK COVER FOR MOUNTING PLATE P0049					
16	11001775	MOTOR FOR RATIOMOTOR P124 ASSY.	WITH PART. N°17				
17	9121.044	ANTIVIBRATION FOR MOTOR					
18	9121.046	SINTERED BUSH FOR MOTOR					
19	148380200	WASHER BAKELIZZATE D=5,5					
20	11001331	BLACK MICROSWITCH SUPPOT DUMP BOX P0049					
21	NE05.038	MICROSWITCH					
22	20000455	SPARES KIT GEARS FOR RATIOMOTOR P124					
23	9161.132	MYLAR WASHER FOR RATIOMOTOR					
24	129914102	SCREW K 35X12 WN 1423 GALVANIZED					
25	11002145	BLACK BREW UNIT 8GR. P124/SBS					
		<b>VEDI TAV. COD. ESPLOSO E90042</b>					