

Service Service Service



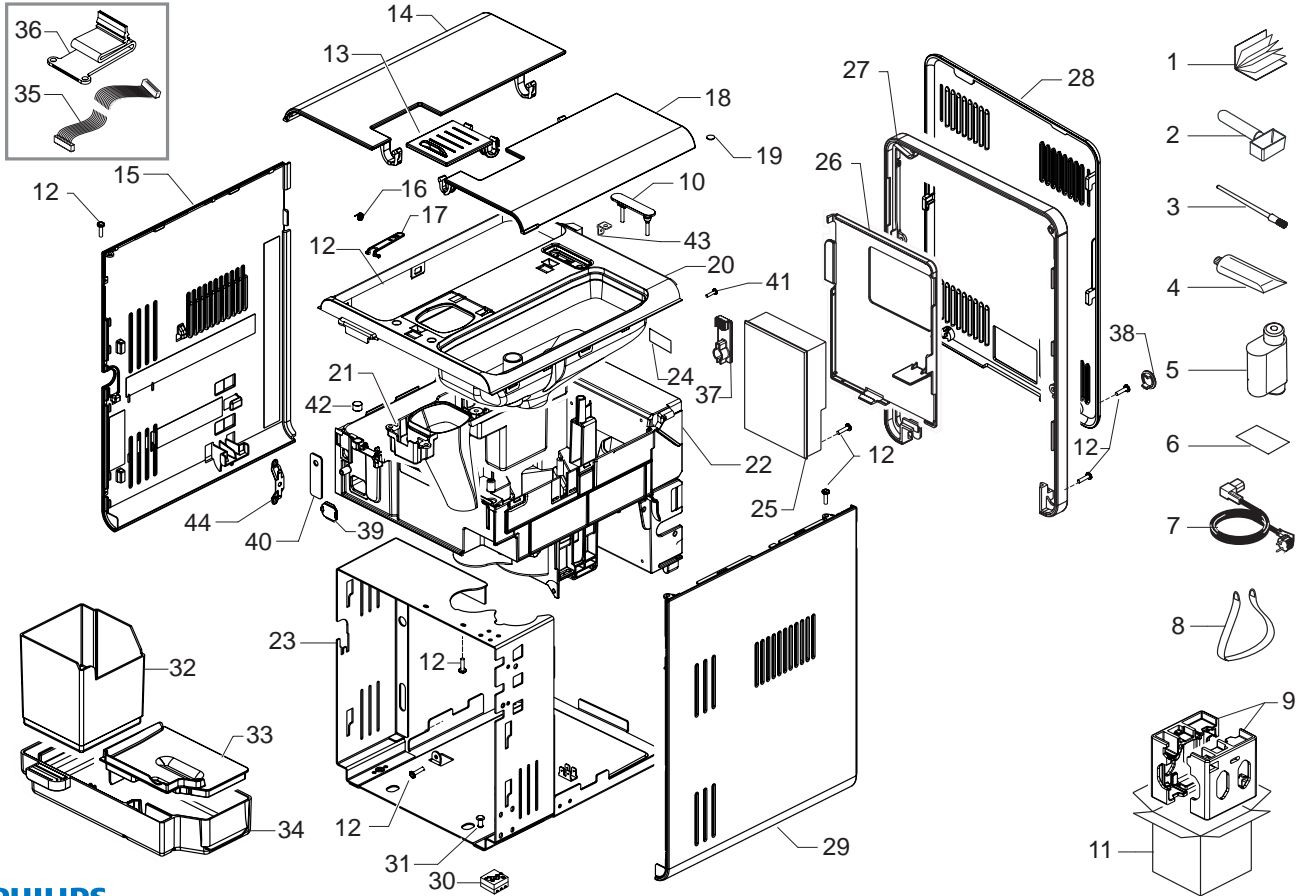
Exploded View

Contents

Table

External / Electronical components	1/8
Front panel / User interface	2/8
Coffee dispenser	3/8
Water container	4/8
Milk carafe	5/8
Water system with slim boiler	6/8
Coffee grinder assembly	7/6
Gear motor / Brewing unit	8/8

All rights reserved. No part of this publication may be reproduced, stored in a retrieval system or transmitted, in any form or by any means, electronic, mechanical, photocopying, or otherwise without the prior permission of Saeco.



PHILIPS
Saeco

Type HD8854
Type HD8856



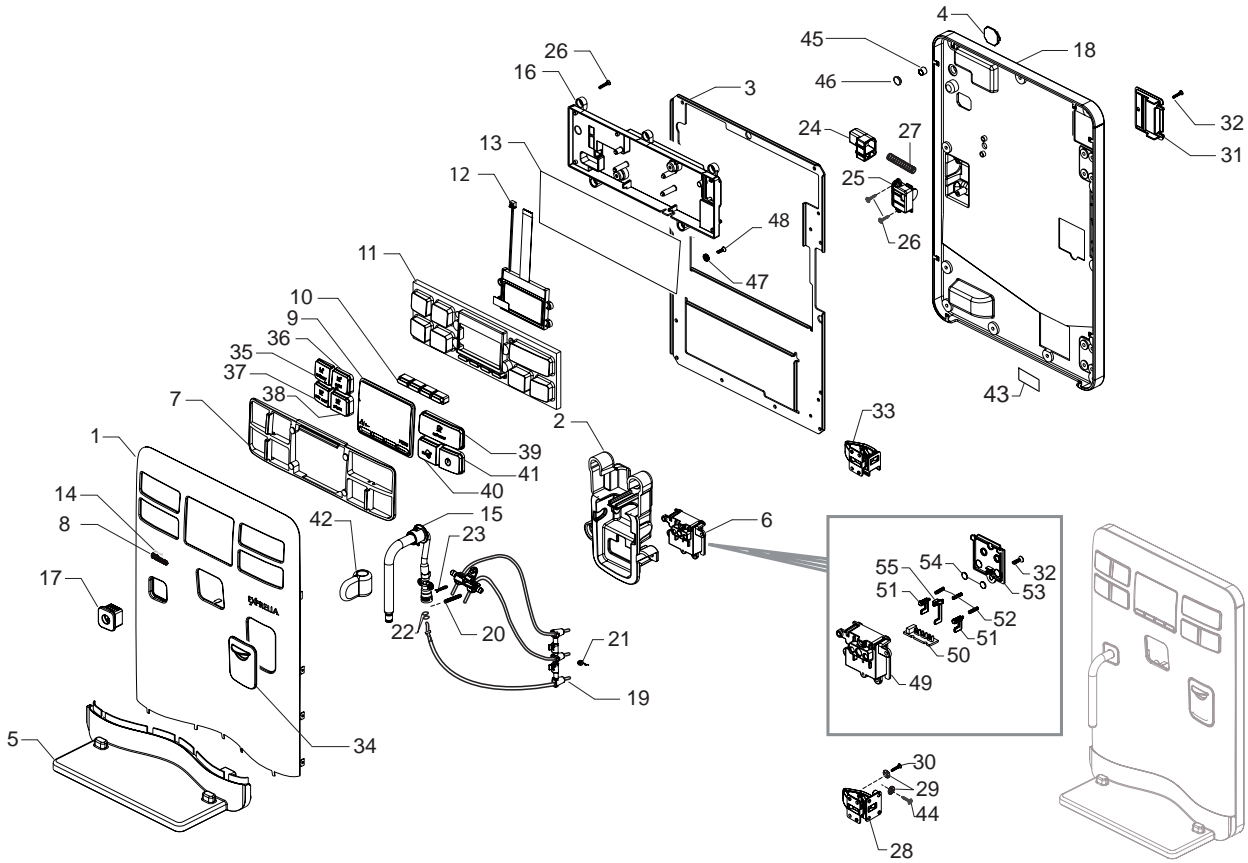
Cod. 10003287-3521-3522-3523- 3579
Cod. 10003286-3524-3525-3526-3578

POS	CODE	DESCRIPTION	NOTE
01	15001997	MANUAL PSA SUP039 MDS IT	
	15001998	MANUAL PSA SUP039 MDS DE	
	15001999	MANUAL PSA SUP039 MDS GB	
	15002047	MANUAL PSA SUP039 MDS FR	
	15002330	MANUAL PSA SUP039 MDS ES	
	15002331	MANUAL PSA SUP039 MDS PT	
	15002332	MANUAL PSA SUP039 MDS NL	
	15002333	MANUAL PSA SUP039 MDS SV	
	15002334	MANUAL PSA SUP039 MDS NO	
	15002335	MANUAL PSA SUP039 MDS FI	
	15002336	MANUAL PSA SUP039 MDS DA	
	15002337	MANUAL PSA SUP039 MDS GR	
	15002338	MANUAL PSA SUP039 MDS PL	
	15002339	MANUAL PSA SUP039 MDS RU	
	15002340	MANUAL PSA SUP039 MDS UA	
	15002341	MANUAL PSA SUP039 MDS HU	
	15002342	MANUAL PSA SUP039 MDS CS	
	15002343	MANUAL PSA SUP039 MDS SK	
	15002344	MANUAL PSA SUP039 MDS RO	
	15002345	MANUAL PSA SUP039 MDS BG	
	15002346	MANUAL PSA SUP039 MDS CR	
	15002347	MANUAL PSA SUP039 MDS SL	
	15002348	MANUAL PSA SUP039 MDS SR	
	15002582	MANUAL PSA SUP039 MDS CHN	
02	146680850	BLACK COFFEE MEASURE SMART	
03	127390100	BRUSH FOR CLEANING	
04	11005044	SAECO KLUBER TRIBOSTAR SIL 2 TUBE 5GR.	
05	21001404	ACC SAE BRITA UNI.WAT.FILTERX1 EUR-ASIA	
06	0301.961	STICKER FOR WATER HARDNESS TEST	
07	183911050	BLACK POWER CABLE SCHUKO L=1200MM	
	183940650	BLACK POWER CABLE AUSTRALIA L=1200	
	11004247	BLACK POWER CABLE RVV 3X1 CHINA L=1200MM	
	183930650	PO.CABL.CH BLACK 3X1 H05VV-F L=1200	
08	13001097	BAND FOR LIFTING L=1800 H=300 MM MYB9	
09	20006892	KIT PS-E INSERT FOR BOX MDS	
10	17000111	BLACK COVER CONDUCTING SEAL MDS	
11	13001130	DISPLAY BOX MDS PSA EXPRELIA WE	
	13001252	DISPLAY BOX MDS PSA EXPRELIA CEE	
12	12000450	SCREW TCBR TORX 10 3,5X12 PLAST.ZN-N	

POS	CODE	DESCRIPTION	NOTE
13	17000399	SB/SS GROUND CONT.DOOR COVER MDS/H ASSY.	
	11024933	BLACK GROUND CONTAINER DOOR S/SCR.MDS/P	
14	17000398	SB/SS WATER CONT.DOOR COVER MDS/H ASSY.	
	11023040	BLACK WATER CONTAINER DOOR MDS/P	
15	17000396	SB/SS LEFT SIDE PANEL MDS/H ASSY.	
	11022955	BLACK LEFT SIDE PANEL MDS/P	
16	11023035	SS SPRING FOR WATER CONTAINER LEVER MDS	
17	11022425	YELLOW LEVER FOR WATER CONTAIN.S/SC.MYB9	
18	17000400	SB/SS BEAN CONTAIN.DOOR COVER MDS/H ASSY	
	11023046	BLACK BEAN CONTAINER DOOR MDS/P	
19	12001330	TRANSP.ROUND ADHESIVE FOOT SJ-5382	
20	17000113	BLACK COVER CASING V2 MDS	
21	11022950	BLACK GROUND COFFEE HOPPER PLATE MDS	
22	11023060	BLACK HORIZONTAL MOUNTING PLATE MDS	
23	11022938	BLACK STEEL CASING MDS ASSY.	
24	11000651	WATER LEVEL SENSOR BOARD P124	
25	11024263	PWR BOARD MDS	230V
26	11023061	BLACK PWR BOARD COVER MDS	
27	11022984	BLK/SB-SS REAR FRAME MDS ASSY.	
	11025064	BLK/BLK REAR FRAME MDS ASSY.	
28	11022956	BLACK REAR PANEL WHIT LOGO SAECO MDS	
29	17000397	SB/SS RIGHT SIDE PANEL MDS/H ASSY.	
	11022954	BLACK RIGHT SIDE PANEL MDS/P	
	11021829	BLACK/TRANSP.RIGID FOOT MYB9	
31	11021769	BLACK RIGID FOOT FIXING PIN MYB9	
32	11023034	BLACK DUMP BOX MDS ASSY.	
33	11023032	BLK DRIP TRAY COFF.BREW UNIT COVER MDS	
34	11023031	BLACK DRIP TRAY COFFEE BREW UNIT MDS	
35	11023166	40POLES FLAT CABLE BOARDS LINK MDS UL	
36	11013806	BLACK FLAT-CABLE PROTECTION MYB9	
37	17000064	BLACK CAPACITIVE SENSOR INSERT XSM	
38	11022971	BLACK SCREW HOLE COVER CAP MDS	
39	17000363	TRANSPARENT INFRAREDS PLATE MDS	
40	11021976	GALV.PLATE FOR DOOR CLOSURE MYB9	
41	129913202	SCREW TCB TORX 10 3X8 PLAST.ZN-B	
42	11004160	D=6 H=4 MAGNET P0049	
43	186401220	BENT TABS 6,3 D=3,3 <=90° 4001851000	
44	11006740	BRONZE SPRING FOR FRONT CASING G0053	

PSA EXPRELIA

TABLE 1/8

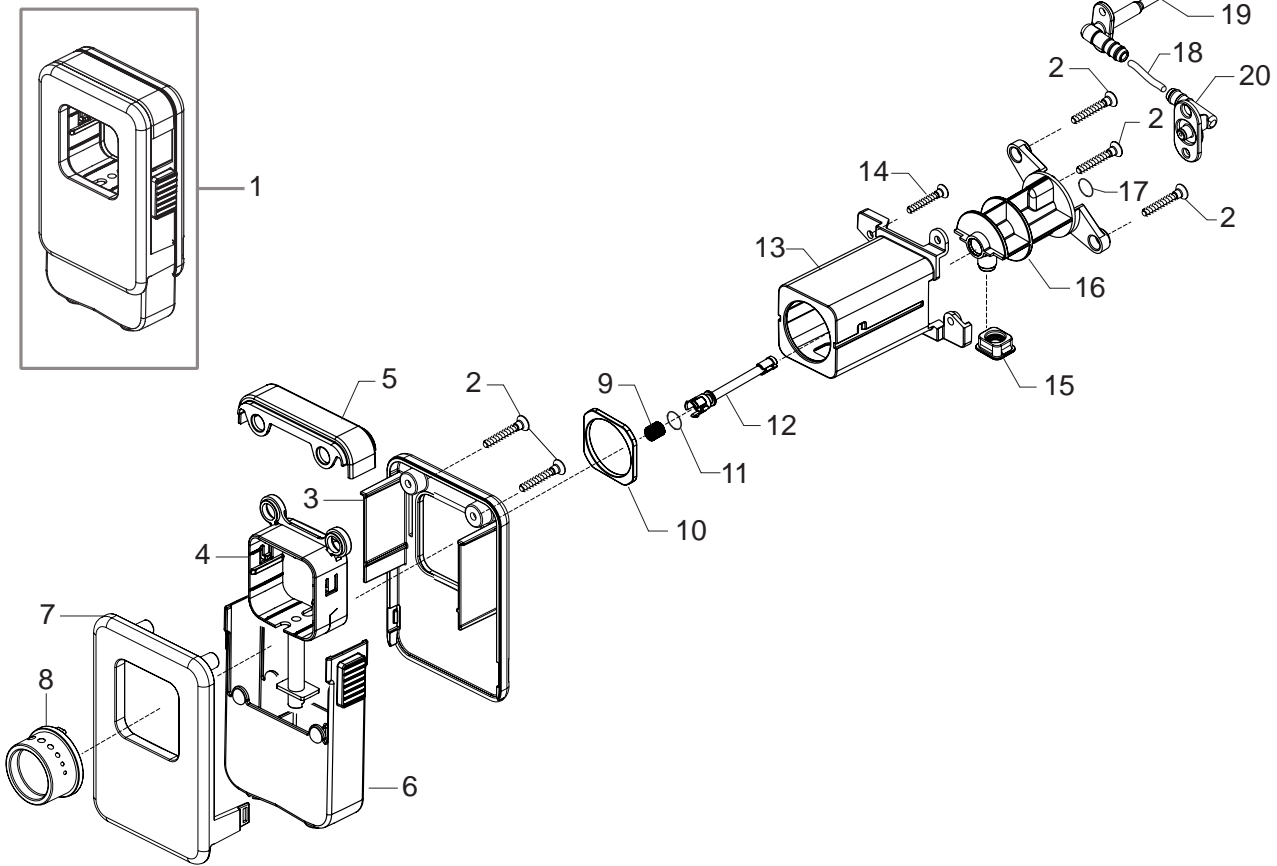


Type HD8854
Type HD8856



Cod. 10003287-3521-3522-3523- 3579
Cod. 10003286-3524-3525-3526-3578

POS	CODE	DESCRIPTION	NOTE	POS	CODE	DESCRIPTION	NOTE
01	11024476	SB/SS FRONTAL PANEL S/SCR.MDS ASSY.		40	17000554	BLACK CLEAN BUTTON S/SCR.MDS	
02	11023433	BLACK FRONTAL PANEL INSERT MDS		41	17000591	BLACK STAND-BY BUTTON S/SCR.MDS	
03	11022981	STEEL FRONT FRAME MDS		42	17000110	BLACK STEAM TUBE HANDGRIP MDS	
04	17000363	TRANSPARENT INFRAREDS PLATE MDS		43	11000651	WATER LEVEL SENSOR BOARD P124	
05	11022969	BLACK DRIP TRAY SUPPORT MDS		44	129823821	TCB SCREW M4X8 UNI 7687 SS	
06	11022986	BLK CARAFFE BOARD SUPPORT GEN.MDS ASSY.		45	9161.111	MAGNET FOR FLOAT SUPERAUTOM.	
07	11023913	CHROM.TOUCH PANEL SUPPORT MDS		46	11014016	SS.INSERT FOR MAGNET MYB9	
08	11011406	ADHES.SILVER PLATE LOGO SAECO P0057		47	128310321	WASHER UNI 8842 A3 INOX	
09	17000989	TRANSPAR.GLASS FOR DISPLAY S/SCR.MDS		48	129912902	SCREW TCB TORX 10 2,9X6,5 SHEET ZN-B	
10	17000325	BLK DISPLAY FUNC.BUTTONS COVER S/SCR.MDS		49	11023238	BLACK CARAFFE BOARD COVER MYB9	
11	11023018	TRANSP.TOUCH PANEL MDS		50	11013368	MILKCARAFFE BOARD V2 MYB9	
12	12001490	GRAPHIC DISPLAY 128 X 64 MDS		51	17000002	BLACK CARAFE MICRO INSERT V2 MYB9	
13	11022396	CPU+SW MBM		52	17000019	SS CARAFE MICRO INSERT SPRING MYB9	
14	11024301	ADHES.SILVER PLATE LOGO PHILIPS		53	11013328	BLACK CARAFFE BOARD COVER MYB9	
15	11023819	TF/CHROM.STEAM TUBE MDS ASSY.		54	12001330	TRANSP.ROUND ADHESIVE FOOT SJ-5382	
16	11022983	BLACK DISPLAY SUPPORT MDS		55	17000045	BLK PRESENCE CARAFE MICRO INSERT V2 MYB9	
17	11023021	CHROM.EXTERNAL STEAM TUBE INSERT MDS					
18	11022985	BLK/SB-SS INSIDE COVER FRON.PANEL MDS AS					
19	17000062	WHT PREFORM.TEFLON TUBES SUPP.MDS ASSY.					
20	17000006	TWO WAY TEFLON TUBES SUPPORT SPRING MYB9					
21	11013785	TEFLON TUBES SUPPORT SPRING MYB9					
22	140328059	OR 2015 IN SILICONE PTFE/FDA					
23	9011.144	SS FORK FOR TUBE D.4					
24	11014215	BLACK BUTTON FOR DOOR RELEASE MYB9					
25	11014218	BLACK COVER BUTTON FOR DOOR RELEASE MYB9					
26	12000450	SCREW TCB TORX 10 3,5X12 PLAST.ZN-N					
27	11021747	SPRING FOR DOOR RELEASE BUTTON MYB9					
28	17000094	DOOR LOWER HINGE V2 MYB9					
29	128310402	WASHER UNI 8842 A4 ZINCATA					
30	12001591	GALV.SCREW TCB 4,2X13 DIN 7985 F					
31	17000048	BLACK FLAT-CABLE COVER MDS					
32	12000895	SCREW TSP 3x10 INOX					
33	17000106	DOOR UPPER HINGE V2 MYB9					
34	11023368	CHROM.CONNECT.CAP FOR CARAFE MDS ASSY.					
35	17000549	BLACK ESPRESSO BUTTON S/SCR.MDS					
36	17000550	BLACK COFFEE BUTTON S/SCR.MDS					
37	17000551	BLACK LONG COFFEE BUTTON S/SCR.MDS					
38	17000552	BLACK SPECIAL BUTTON S/SCR.MDS					
39	17000553	BLACK CAPPUCCINO BUTTON S/SCR.MDS					

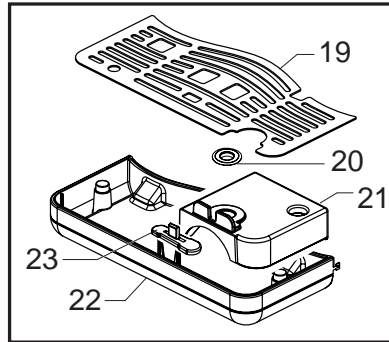
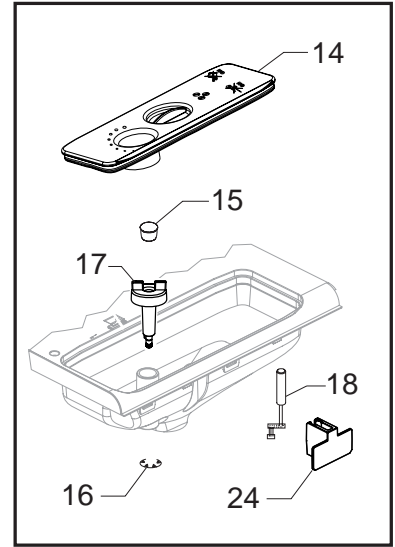
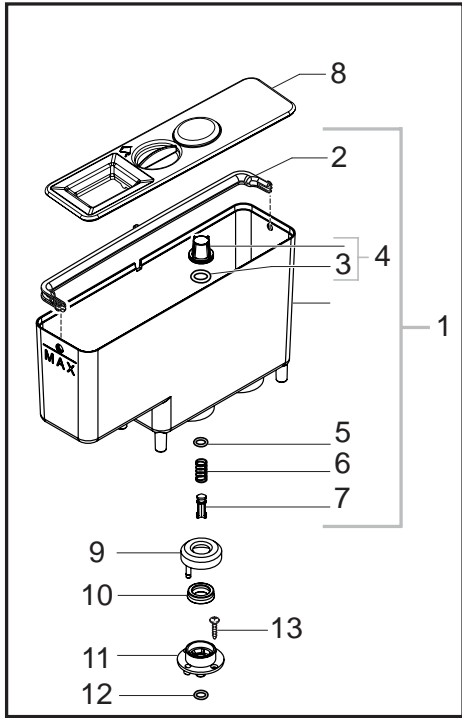


Type HD8854
Type HD8856



Cod. 10003287-3521-3522-3523- 3579
Cod. 10003286-3524-3525-3526-3578

POS	CODE	DESCRIPTION	NOTE	POS	CODE	DESCRIPTION	NOTE
01	11023024	CHROM.COFFEE DISPENSER MDS ASSY. WITH PART. N° 02 - 03 - 04 - 05 - 06 - 07					
02	12000450	SCREW TCBR TORX 10 3,5X12 PLAST.ZN-N					
03	11025081	BLACK REAR COVER COFFEE DISPENSER MDS					
04	11013003	BLACK INNER BODY COFFEE DISPENS.MYB9					
05	11023814	CHROM.COFFEE DISPENSER UPPER INSERT MDS					
06	11023019	BLACK EXT.MOBILE PART COF.DISPENSER MDS					
07	11023812	CHROM.FRONT COVER COFFEE DISPENSER MDS					
08	11023012	CHROM.CREAM ADJUSTMENT KNOB S/SCR.MDS					
09	126772518	SS.SPRING FOR COF.CREAMADJUSTMENT SHAFT					
10	11013324	BLACK CREAM ADJUSTMENT KNOB RING MYB9					
11	140326661	BLACK OR METRIC 0040-20 IN EPDM					
12	140640200	WHITE COFFEE CREAM ADJUSTMENT SHAFT					
13	11022919	CHROM.COFFEE DISPENSER SUPPORT MDS					
14	12000897	SCREW TCB TORX 10 3,5X20 PLAST.SS					
15	11013072	BLACK SEAL FOR COFFEE DISPENSER MYB9					
16	11013013	BLACK COFFEE DISPENSER TUBE MYB9					
17	12000070	OR METRIC 0060-15 IN SILICONE					
18	149360200	SILICONE TUBE 5X8 70SR IN ROLL					
19	11013364	BLACK DISPENSER COFF.INLET CONNECT.MYB9					
20	11012926	BLACK COFFEE DISPENSER CONNECTOR MYB9					



PHILIPS

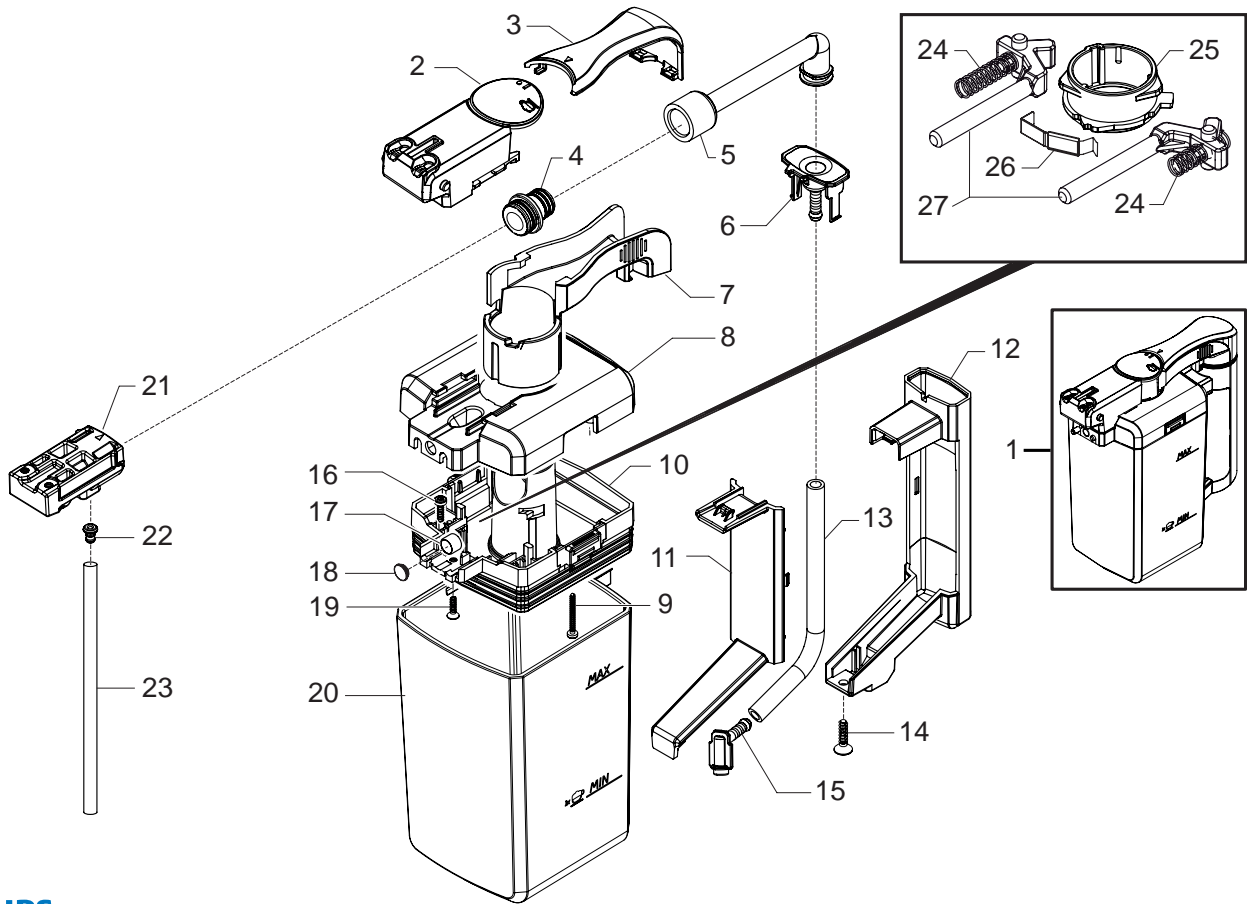
Saeco

Type HD8854
Type HD8856



Cod. 10003287-3521-3522-3523- 3579
Cod. 10003286-3524-3525-3526-3578

POS	CODE	DESCRIPTION	NOTE	POS	CODE	DESCRIPTION	NOTE
01	11023037	NATURAL/GREY WATER CONTAINER MDS ASSY.					
02	11023155	BLACK HANDLE WATER CONTAINER MDS					
03	140328461	EPDM OR METRIC 0190-10					
04	224640200	EXTERNAL FILTER FOR WATER CONTAINER ASSY					
05	140324362	OR METRIC 0060-30 IN SILICONE					
06	126764718	SPRING FOR WATER CONTAINER VALVE					
07	147660562	GREY WATER VALVE CONTAINER PISTON					
08	11023039	NAT/GREY WATER CONTAINER LID S/SCR.MDS					
09	0701.031.150	SEAL COVER GREY					
10	145842900	WATER CONTAIN.VALVE SEAL GACO DIM14					
11	0701.014.150	SEAL CONTAINER GREY					
12	140320461	OR ORM 0080-20 IN TERMOIL					
13	129535721	SCREW TSP TORX 10 3,5X9,5 SHEET SS					
14	11023044	NAT/GRY BEAN COF.CONT.LID S/SCR.MDS ASSY					
15	149213059	GREY CAP FOR KNOBS BEAN CONTAINER					
16	120350604	SHAFT 6 UNI 7434					
17	11022951	BLACK GRIND.ADJUSTMENT KNOB MDS					
18	11022924	5POLES CONNECTOR MC SENSORS MDS UL					
19	11023025	SS DRIP TRAY GRATE MDS					
20	17000147	BLACK GRATE SEAL V3 MYB9/H-P					
21	11023030	BLACK DRIP TRAY COVER MDS					
22	11023029	SB/SS-BLACK DRIP TRAY MDS ASSY.					
23	17000001	RED FLOAT FOR DRIP TRAY MDS					
24	17000204	BLACK REED SENSOR SUPPORT MDS					

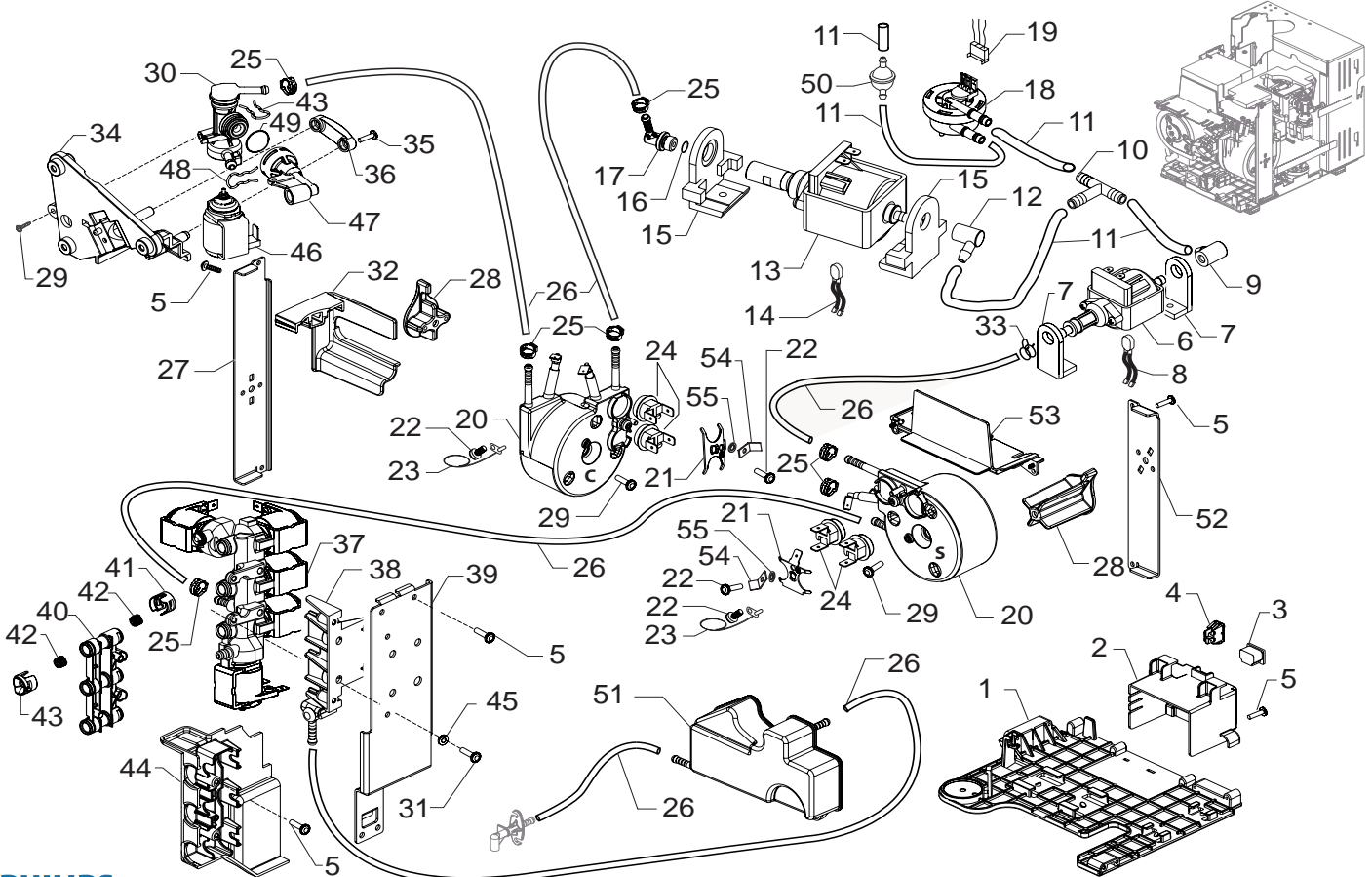


Type HD8854
Type HD8856



Cod. 10003287-3521-3522-3523- 3579
Cod. 10003286-3524-3525-3526-3578

POS	CODE	DESCRIPTION	NOTE	POS	CODE	DESCRIPTION	NOTE
01	11023077	TRANSP/BLK GEN.CARAFE MYB9/MDS PSA ASSY.					
02	11023235	CHR.CARAFE CAPP.COVER V2 S/SC.MYB9 ASSY.					
03	11022498	CHR.UPPER CARAFE SUPPORT V2 S/SCR.MYB9					
04	11012812	VENTURI TUBE FOR CAPPUCINATORE MYB9					
05	11012678	BLACK CARAFE MILK DISPENSER TUBE MYB9					
06	11013163	BLACK UPPER TUBE CARAFE CONNECT.MYB9					
07	11022496	CHROM.LOWER CARAFE SUPPORT V2 MYB9					
08	11012816	BLACK UPPER COVER PART CARAFE MYB9					
09	12000550	SCREW TCB TORX 10 3X25 PLAST.SS					
10	11021893	BLACK LOWER COVER PART CARAFE MYB9 ASSY.					
11	11013466	CHROMED REAR PART HILT CARAFE MYB9					
12	11023158	CHROMED FRONT PART HILT CARAFE V2 MYB9					
13	149360200	SILICONE TUBE 5X8 70SR	IN ROLL				
14	129911721	SCREW TSP TORX 4X16 PLAST STEEL					
15	11013164	BLACK LOWER TUBE CARAFE CONNECT.MYB9					
16	129910921	SCREW TCB TORX 10 3X10 SS					
17	9161.111	MAGNET FOR FLOAT SUPERAUTOM.					
18	11014016	SS.INSERT FOR MAGNET MYB9					
19	12000895	SCREW TSP TORX 10 3X10 PLAST.SS					
20	11024104	TRANSP.CARAFE V3 S/SCREEN MYB9					
21	17000004	BLK CARAFE CAPPUCIN.CASING W/CAPS MYB9					
22	11012813	BLACK MILK TUBE CONNECTOR MYB9					
23	149360400	TRANSPARENT SILICONE TUBE 3,5X6	IN ROLL				
24	11013765	STEEL SPRING FOR CARAFE LEVER MYB9					
25	11022522	BLACK CAM FOR CARAFE LEVERS V2 MYB9					
26	11013832	CARAFE SPRING WITH INSERT MYB9 ASSY.					
27	17000131	BLACK LEVER FOR CARAFE CAM V3 MYB9					



PHILIPS

Saeco

Type HD8854
Type HD8856



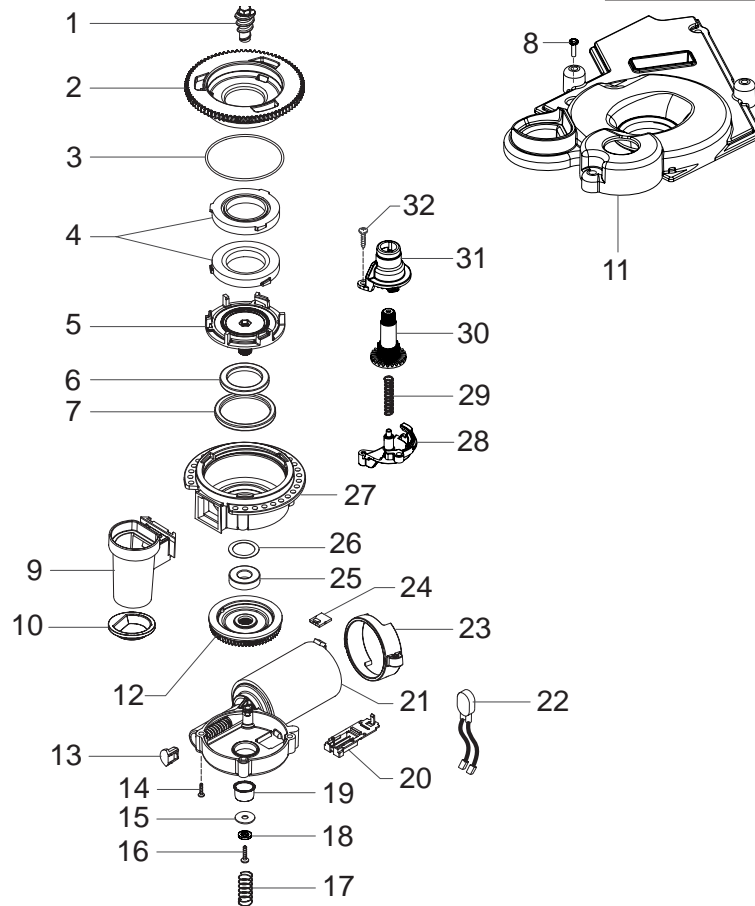
Cod. 10003287-3521-3522-3523- 3579
Cod. 10003286-3524-3525-3526-3578

POS	CODE	DESCRIPTION	NOTE
01	11023066	BLACK COMPONENTS SUPPORT MDS	
02	11023074	BLACK SOCKET-SWITCH SUPPORT MDS	
03	12000280	CUP SOCKET EN 60320 C 13	
04	NE03.038	BIPOLAR SWITCH FUSIT C1250AR	
05	12000450	SCREW TCBR TORX 10 3,5X12 PLAST.ZN-N	
06	12001212	ULKA PUMP MF	230V-50HZ
07	11012194	BLACK ULKA MF PUMP SUPPORT	
08	11022888	2 POLES CONNECTOR STEAM PUMP MDS UL	
09	11012193	90° INLET CONNECTOR FOR PUMP ULKA MF	
10	147920300	TEE CONNECTOR D=8 ART.80.26.047 KA.461	
11	JS01.022	SILICONE TUBE 5X10 60 SHORE	IN ROLL
12	147920150	90° INLET CONNECTOR PUMP	
13	12000140	ULKA PUMP EP5/S GW	230V-50HZ
14	11022885	2 POLES CONNECTOR COFFEE PUMP MDS UL	
15	11022857	BLACK PUMP SUPPORT GMYB	
16	140321961	OR 2031 IN TERMOIL	
17	11001054	90°CONNECTOR PUMP OUTLET P0049/B	
18	NV99.099	TURBINE D=1,2 932-8521/00 ASSY.	
19	11022925	6POLES CONNECTOR FLOWMETER MDS UL	
20	11013735	SLIM TUB.BOILER ASSY.	230V 1300W
21	11001751	THERMOSTATES SPRING FOR BOILER	
22	129573402	SCREW TAPT M4X10 DIN 7985 GALV	
23	190800100	TEMPERATURE SENSOR NTC UL L=280MM	
24	12001034	THERMOSTAT ONE SHOT 175°	
25	12000892	OETIKER CLAMP D=9,5 16700004	IN ROLL
26	16000380	5X8,9 SILICONE TUBE	IN ROLL
27	11023069	STEEL COFFEE TUBOL.BOILER SUPPORT MDS	
28	11023282	BLACK BOILERS SUPPORT V2 MYB9	
29	12001369	SCREW TSP TORX 5X30 PLAST.ZN-B	
30	20006558	BLOWDOWN VALVE CASING MYB9 ASSY.	
31	129914302	SCREW TORX M4X10 TESTA D=8X1,5 GALV	
32	11023071	BLK COFFEE BOILER INSULATING COVER MDS	
33	184320200	SPRING HOSE CLAMP D=9,5MM	
34	11012206	BLACK BLOWDOWN VALVE SUPPORT MYB9	
35	129913902	SCREW TCB TORX 10 3X12 PLAST.ZN-B	
36	11013711	BLACK VALVE FIXING FLANGE MYB9	
37	11023049	DIFFUSER VALVE MDS ASSY.	
38	11023052	BLACK DIFFUSER VALVE SUPPORT MDS	
39	11023914	BLACK STEEL DIFFUSER VALVE SUPPORT MDS	

POS	CODE	DESCRIPTION	NOTE
40	11023053	BLACK DOOR TUBES COUPLING CONNECTOR MDS	
41	11023048	BLACK EV CONNECTOR INSERT MDS	
42	11013789	BLACK EV CONNECTOR SEAL MYB9	
43	11013788	BLACK EV CONNECTOR INSERT MYB9	
44	11023054	BLACK DOOR TUBES COUPLING PROTECTION MDS	
45	11021842	SOLENOID VALVE CONNECT.INSUL.WASHER MYB9	230V
46	20000590	BLOWDOWN VALVE COIL P0049 ASSY.	230V
47	11007565	BLOWDOWN VALVE CONNECTOR V2 P0049	
48	11005096	FORK SPRING FOR VALVE P0049	
49	12000620	OR ORM 0130-20 IN EPDM	
50	12001595	TRANSP/WHITE ASPIRATION FILTER MDS	
51	17000408	BLACK STEAM BLOWDOWN CONDENSER MDS ASSY.	
52	11023070	STEEL STEAM TUBOL.BOILER SUPPORT MDS	
53	17000226	BLACK COVER CASING FRONT INSERT MDS	
54	124390520	BRASS BENT FASTON 45° 6,3X0,8	
55	128310402	GALV.WASHER UNI 8842 A4	
	11006995	V2 BLOWDOWN VALVE MYB9 230V ASSY. WITH PART. N°30-46-47-48-49	
	17000347	SLIM TUB.BOILER STD ASSY. C2 WITH PART. N°20-21-22-23-24	230V-1300W

PSA EXPRELIA

TABLE 6/8



PHILIPS

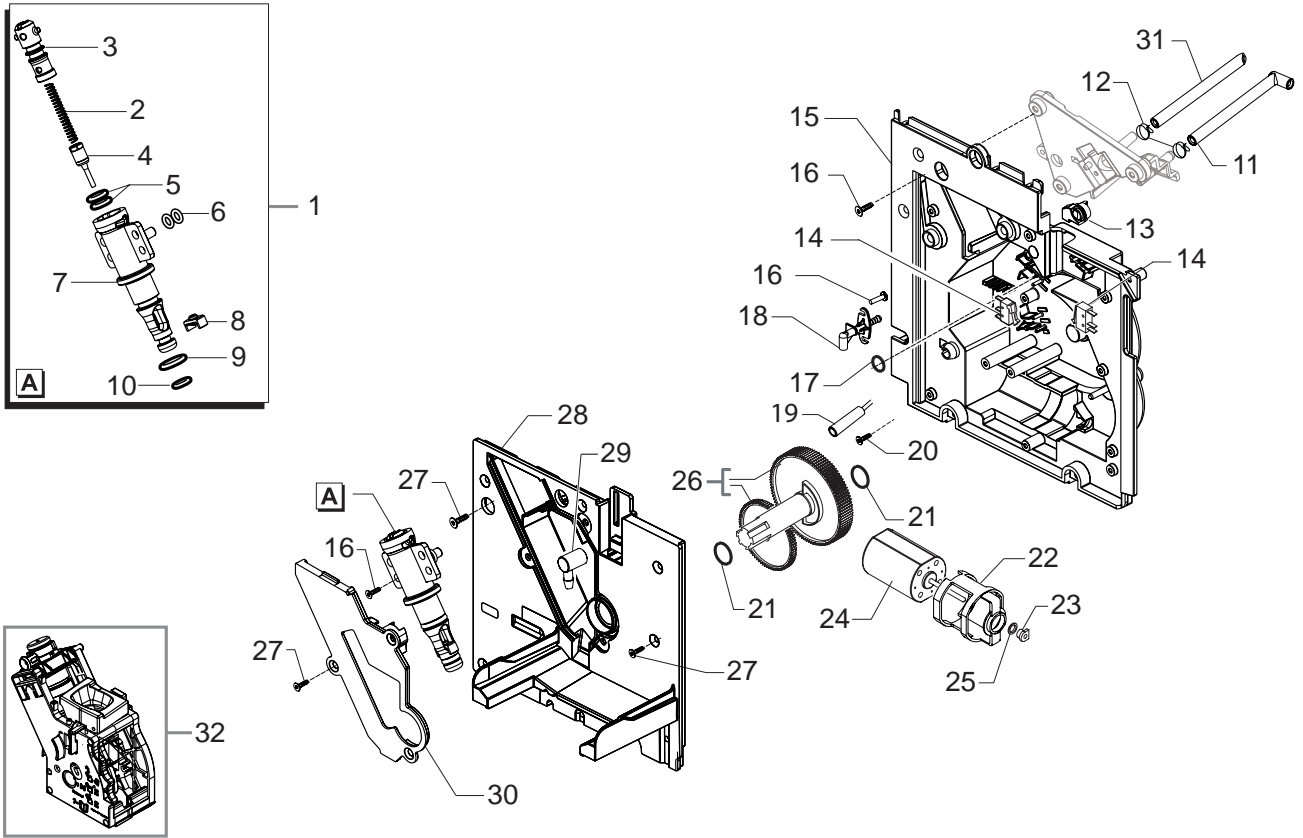
Saeco

Type HD8854
Type HD8856



Cod. 10003287-3521-3522-3523- 3579
Cod. 10003286-3524-3525-3526-3578

POS	CODE	DESCRIPTION	NOTE	POS	CODE	DESCRIPTION	NOTE
01	11011205	TEA ZAMA INCREASE SCREW GRINDER					
02	149198250	UPPER GRINDER SUPPORT COFFEEGRINDER					
03	140328960	NBR FDA OR METRIC 0530-15					
04	146520100	BAKED CLAY GRINDER 48X28					
05	149198350	LOWER GRINDER SUPPORT COFFEEGRINDER					
06	123030300	AXIAL BEARING EKKO 342.35252					
07	140360500	FELT RING 45,4X39,4X4					
08	12000450	SCREW TCB TORX 10 3,5X12 PLAST.ZN-N					
09	11012564	GROUND COFFEE OUTLET CONVEYOR V2 ASSY.					
10	145854462	GROUND COFFEE CONT.SEAL LOWER SMART1					
11	11023063	COFFEE GRINDER SOUNDPROOFING COVER MDS					
12	226000300	GEAR SX Z=38 FOR GRINDER MOTION ASSY.					
13	149214800	CAP FOR WORM SCREW MC/V3 CENTRING					
14	129661702	SCREW TCB TORX 3,5X30 PLAST.ZN-B					
15	128381902	GALVAN.FLAT WASH.DI=4,3 DE=14 SP=1,5					
16	129574802	SCREW TCB TORX 20 M4X30 ZN-B					
17	11000597	COFFEE GRINDER SUPPORT SPRING P124					
18	128310402	GALV.WASHER UNI 8842 A4					
19	11002873	INSULATOR BUSH FOR GRINDER MOTOR P124					
20	149199050	SENSOR SUPPORT FOR COFF.GRIND.MOTOR					
21	11000513	MOTOR COFFEEGRINDER/V3.1 ASSY	230V				
22	17800040	2POLES CONNECTOR GRINDER MOTOR MDS UL					
23	11000194	BLACK GRINDER MOTOR SUPPORT P124					
24	181540900	ELECTRONIC BOARD WITH SENSOR HAL506					
25	123030200	RADIAL BEARING 61900.2RS1					
26	128381800	CRINKLE WASHER 21,8X15,8X0,2					
27	142905450	UPPER BODY WITH COFFE.GROUND OUTLET					
28	149199850	LOWER GEAR SUPPORT COFFEEGRINDER SMART					
29	126772918	SPRING FOR ADJUSTMENT GRINDING GEAR					
30	146002150	COFFEE GRINDING ADJUSTMENT GEAR SMART					
31	149199750	UPPER GEAR SUPPORT COFFEEGRINDER SMART					
32	129914002	SCREW TCB TORX 10 3,5X16 PLAST.ZN-B					
	11023062	GENERAL MOTOR MC MDS ASSY.	230V				



Type HD8854
Type HD8856



Cod. 10003287-3521-3522-3523- 3579
Cod. 10003286-3524-3525-3526-3578

POS	CODE	DESCRIPTION	NOTE	POS	CODE	DESCRIPTION	NOTE
01	11005060	PIN V2 FOR BOILER P119 ASSY.					
02	9011.132	SPRING FOR PIN					
03	11003820	CAP V2 FOR PIN BOILER P119					
04	11009019	TEA/BRASS PISTON L=20,9 ASSY.					
05	140324459	OR ORM 0060-20 IN SILICONE PTFE/FDA					
06	140328059	OR 2015 IN SILICONE PTFE/FDA					
07	11003801	NATURAL PIN V2 FOR BOILER P119					
08	11005099	NATURAL CURSOR V2 FOR BOILER P119					
09	NM01.035	OR ORM 0090-20 SILICONE					
10	NM01.057	OR ORM 0050-20 IN SILICONE					
11	11012337	WATER DRAIN CONNECTOR MYB9					
12	NV99.087	BAND D=11/11,6					
13	11013514	BLACK COVER MOUNTING PLATE SEAL MYB9					
14	NE05.038	MICROSWITCH					
15	11023064	BLACK MOUNTING PLATE WITH PIN MDS ASSY.					
16	12000450	SCREW TCBR TORX 10 3,5X12 PLAST.ZN-N					
17	140325462	OR METRIC 0070-20 IN SILICONE					
18	11023055	BLACK STEAM BLOWDOWN 90° CONNECTOR MDS					
19	11003661	REED SENSOR MK3-1A66-BV16451					
20	129913902	SCREW TCB TORX 10 3X12 PLAST.ZN-B					
21	9161.132	MYLAR WASHER FOR RATIOMOTOR					
22	9121.044	ANTIVIBRATION FOR MOTOR					
23	9121.046	SINTERED BUSH FOR MOTOR					
24	11003037	MOTOR FOR RATIOMOTOR ASSY.					
25	148380200	WASHER BAKELIZZATE D=5,5					
26	20000900	SPARES KIT GEARS FOR RATIOMOTOR V2					
27	129914102	SCREW TSP TORX 10 3,5X12 PLAST.ZN-B					
28	17000049	BLACK COVER MOUNTING PLATE MDS					
29	147920150	90° INLET CONNECTOR PUMP					
30	142856550	BLACK COVER FOR VAIN BOILER P119					
31	JS01.022	SILICONE TUBE 5X10 60 SHORE	IN ROLL				
32	11012810	BLACK BREW UNIT 8GR.SBS MYB9					
		SEE COD. ESPL. E90071					